



CONE CLIMBER 2400SAFE

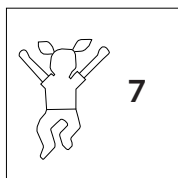
TAY- CC05-CC2400SAFE-00

EN1176-1:2017

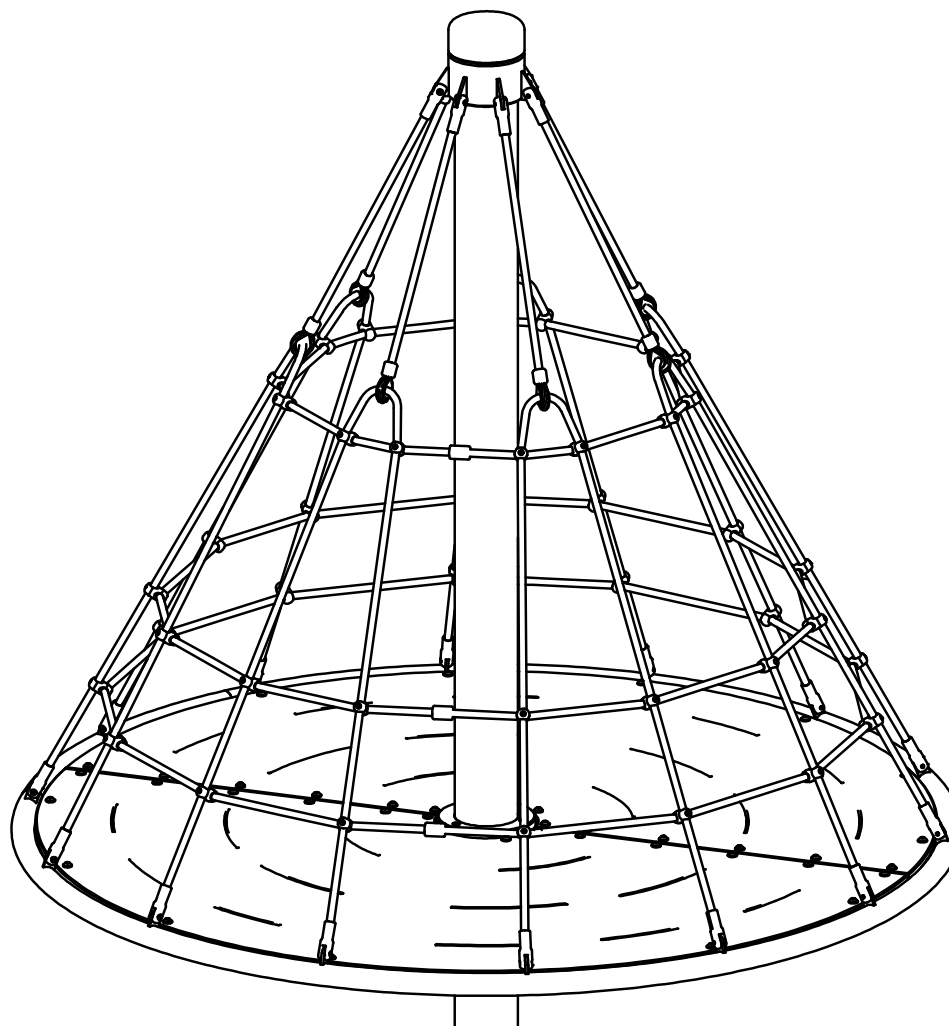
EN1176-11:2014

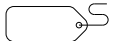











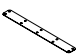


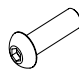
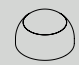
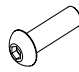


3+

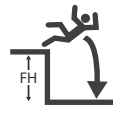



Ø 6.1m




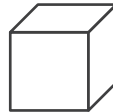
#			
1		SW82702	14kg
1		SW82146	26kg
1		SW82141	13kg
1		SW82016	9kg
1		TAY-51212	
1		SW82018	34kg
3		M8x100 A2 CSK SCS	
1		SW81995	1kg
1		SW82124	3kg
1		SW81996	1kg
3		M8 A2 NYLOC	
2		SW82130	

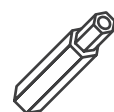
14		M10x40
42		T00844
28		M10x35
42		ISO7089 5x20x2
42		M10 BZP NYLOC


S6

 EN1176
 1500mm


S14

 m²
 29.22

S13

 m³
 0.5

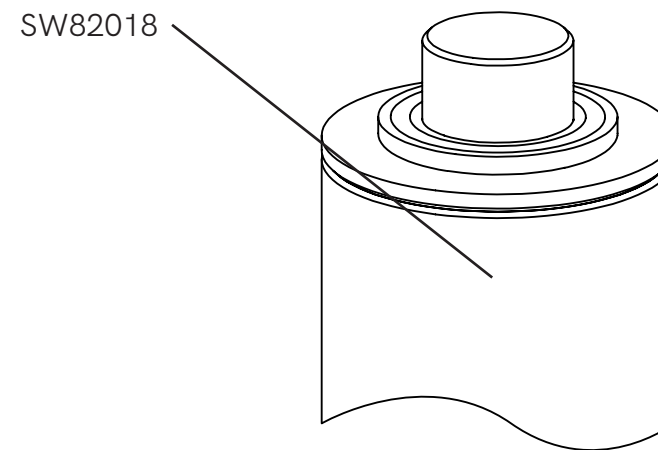
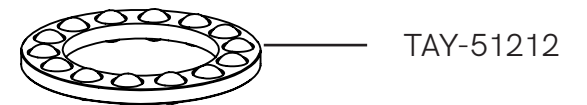
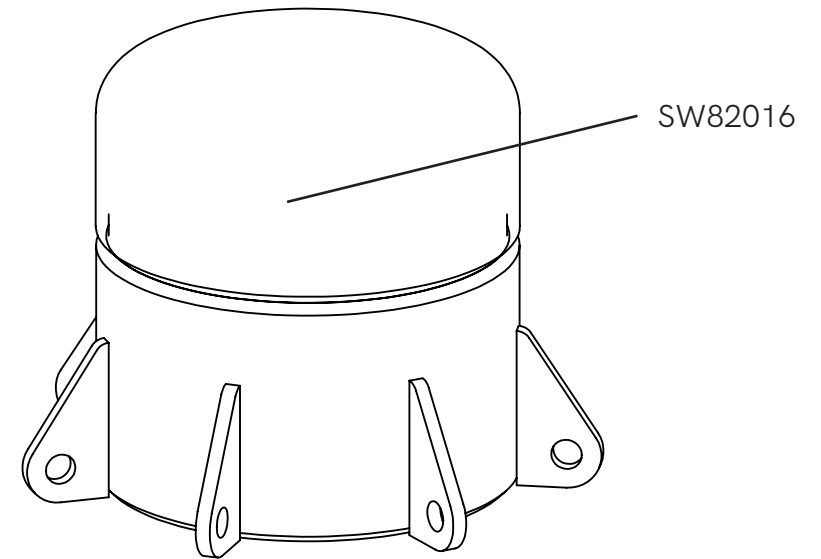
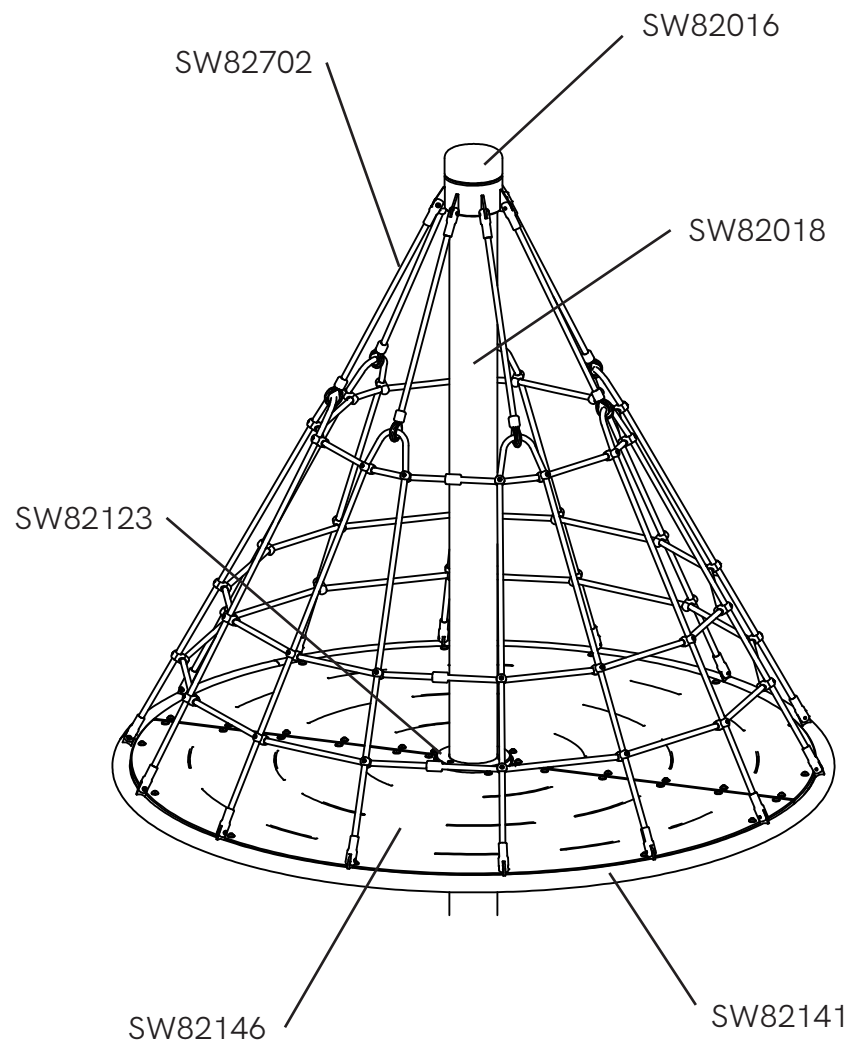
S15

 L x W x H (m)
 6.1 x 6.1 x 2.4

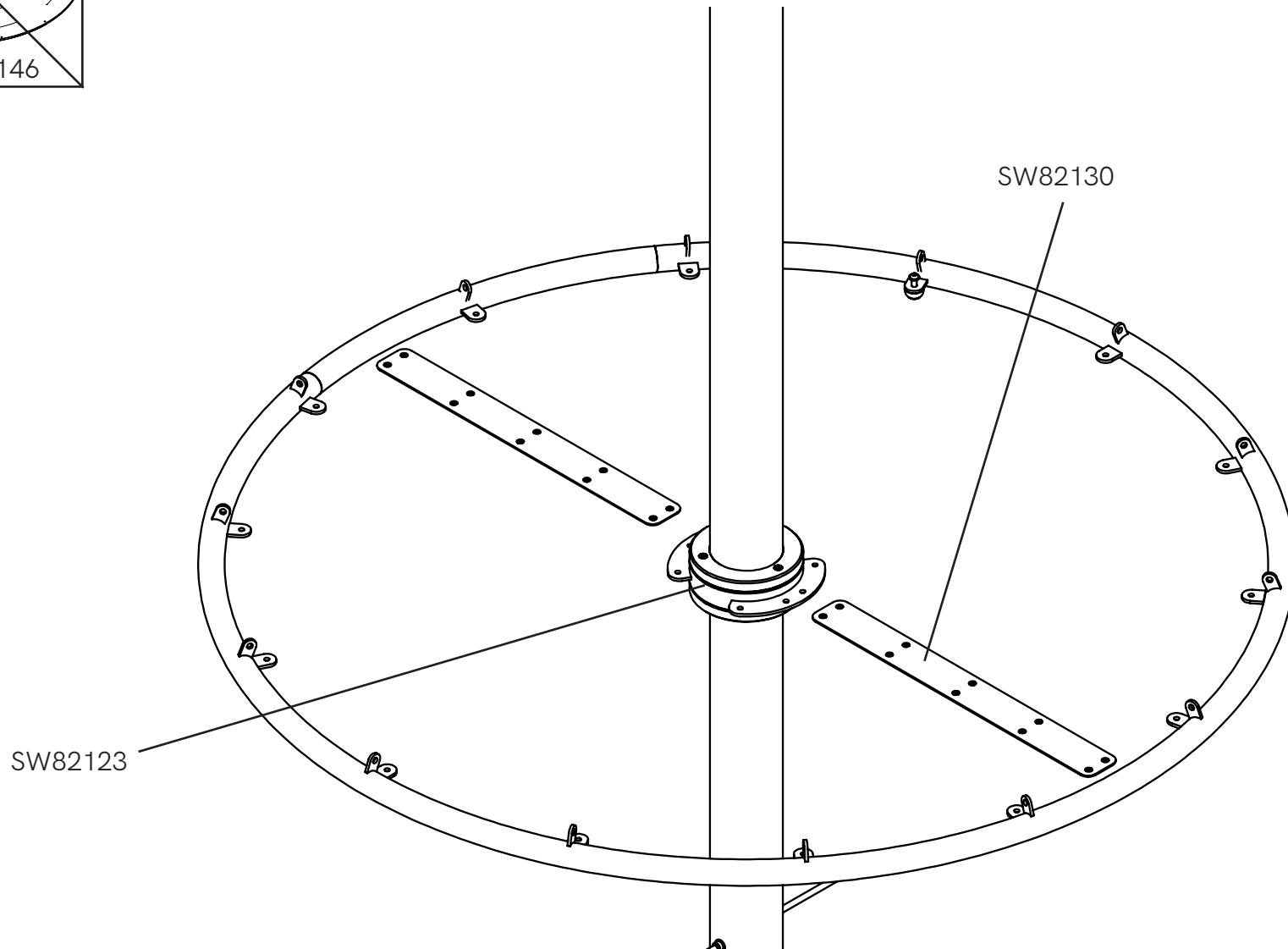
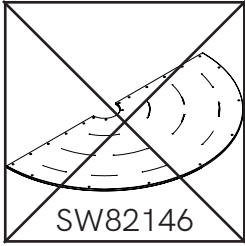
S23

 T30H

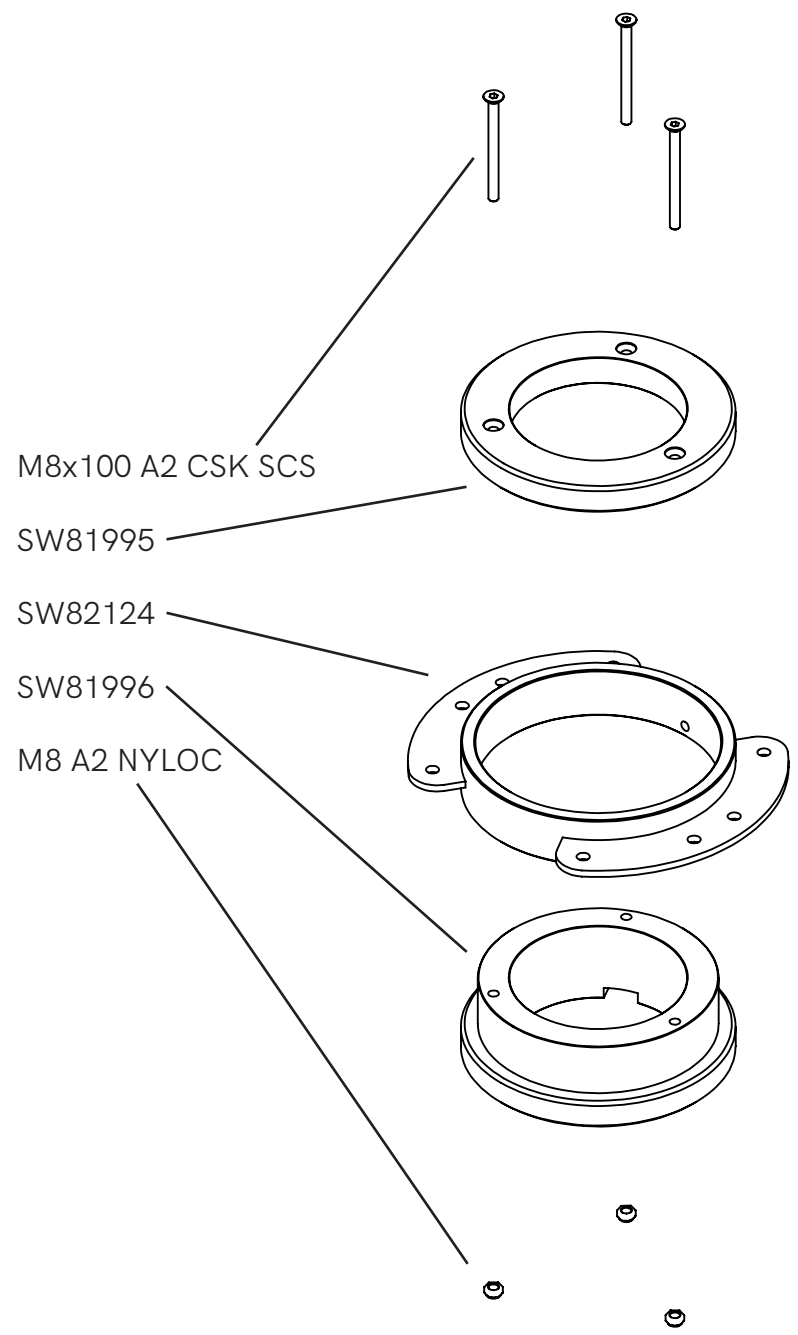
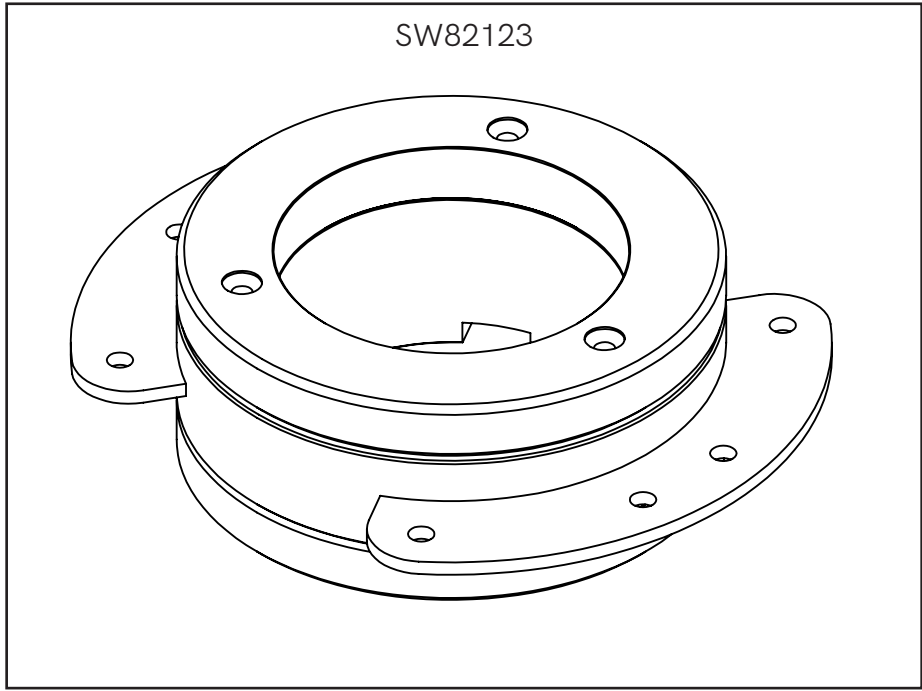
S20

 8 X 24

S12

 kg
 134









M8x100 A2 CSK SCS

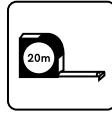
SW81995

SW82124

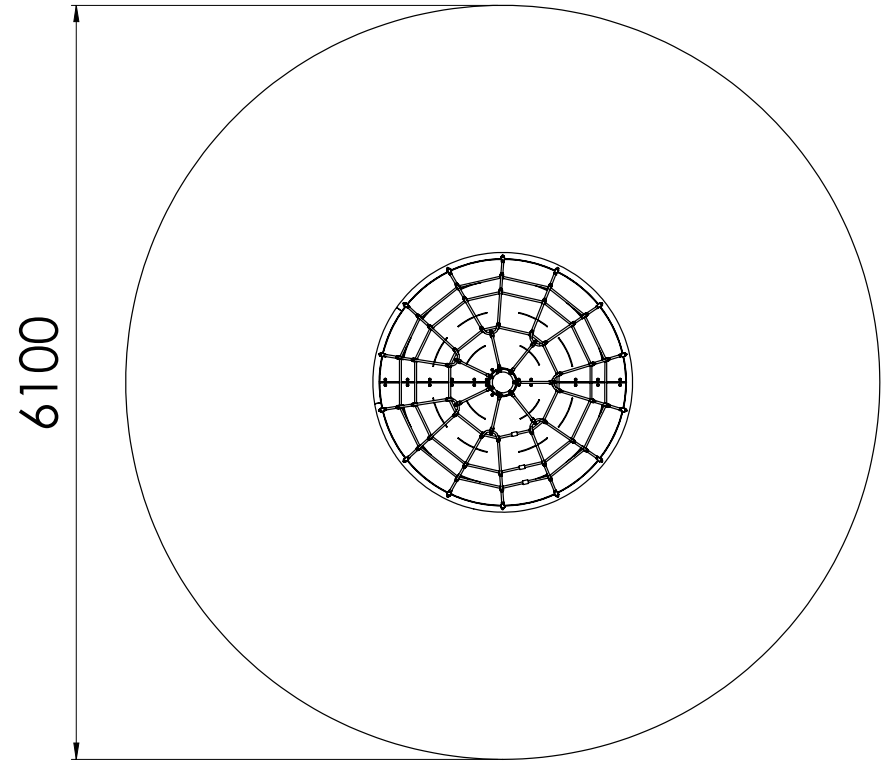
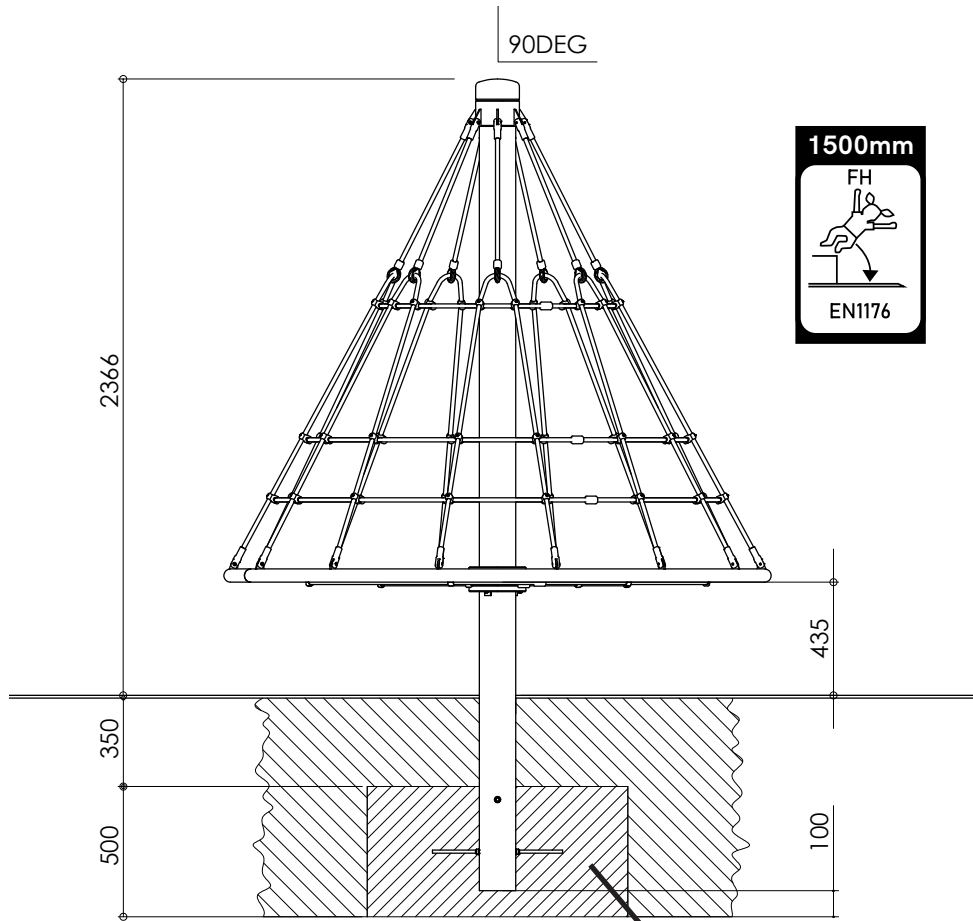
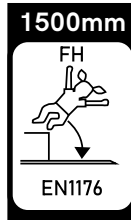
SW81996

M8 A2 NYLOC





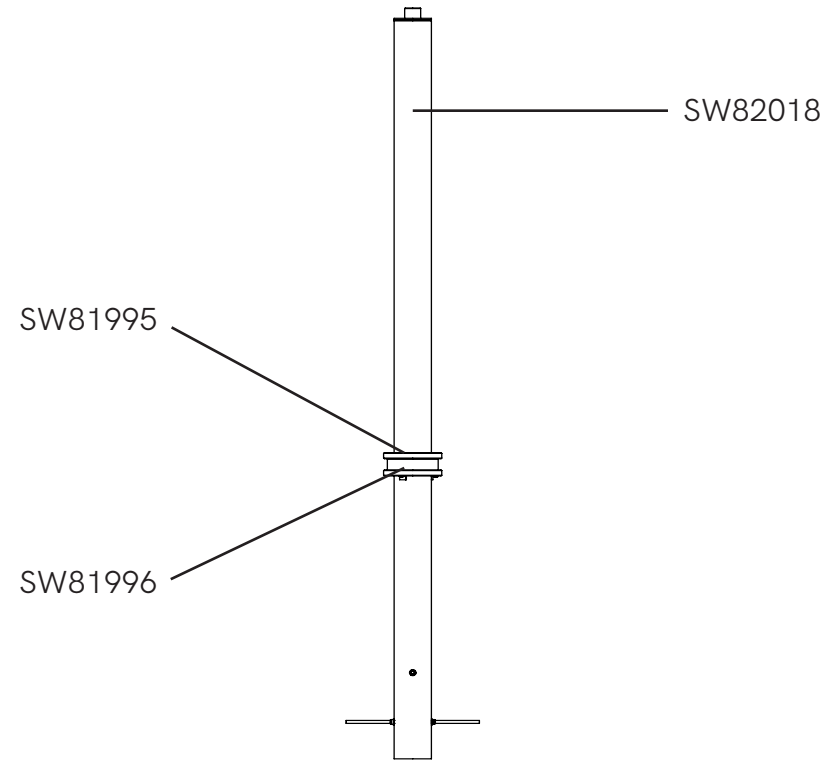
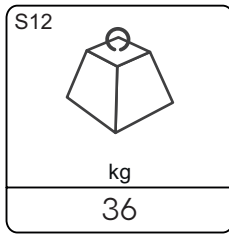
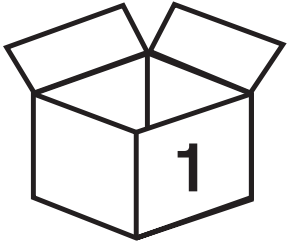
90DEG

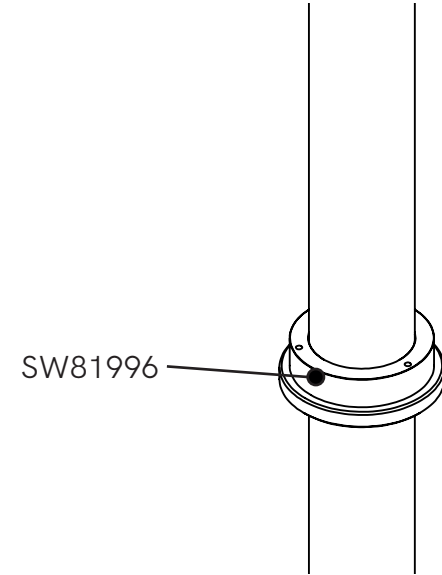
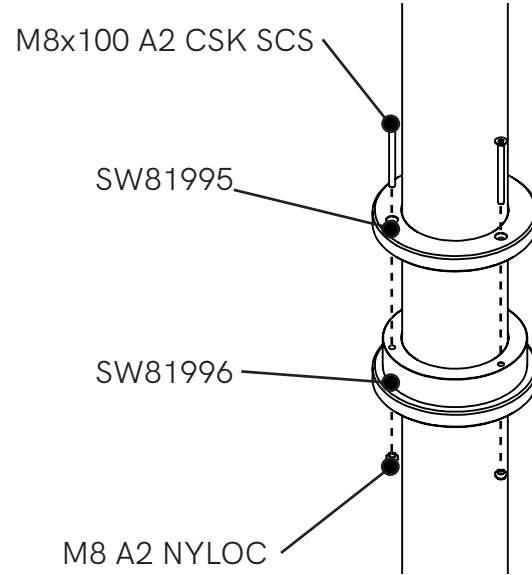
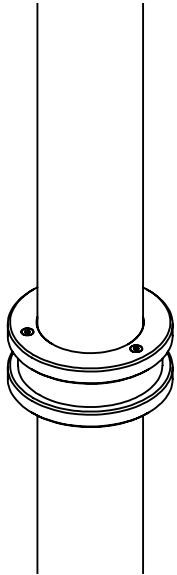
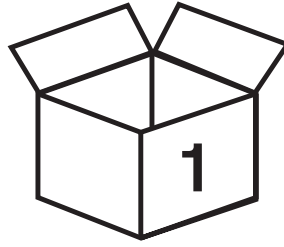
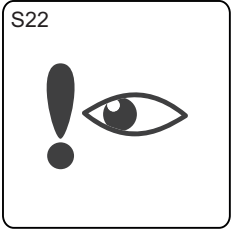


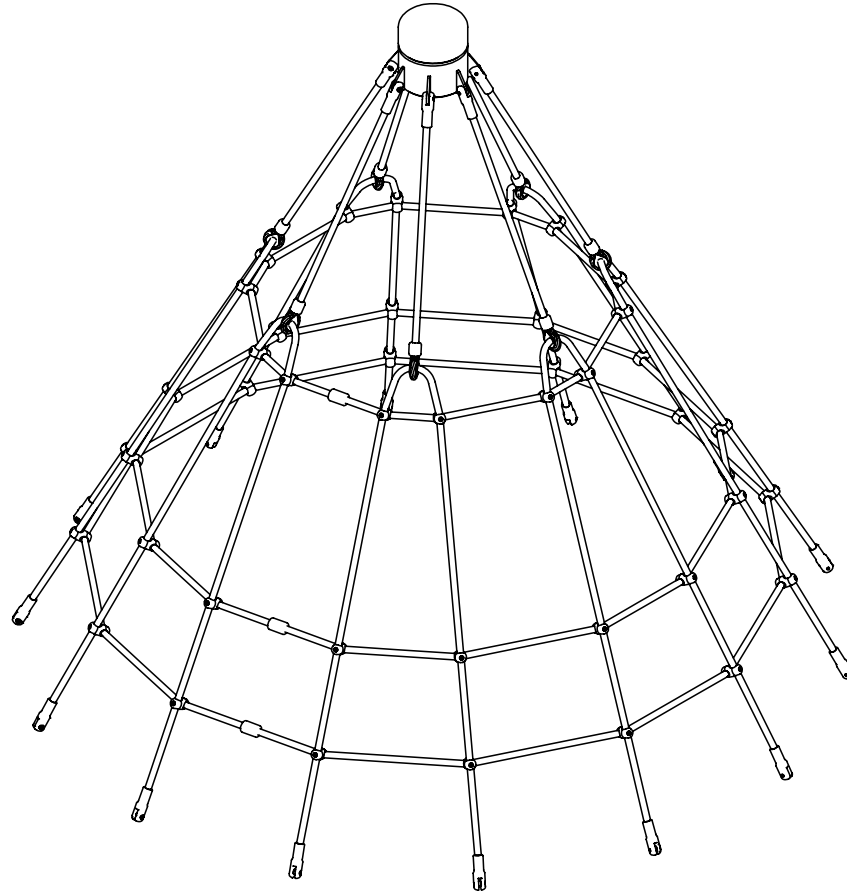
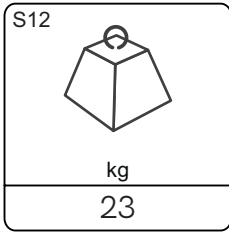
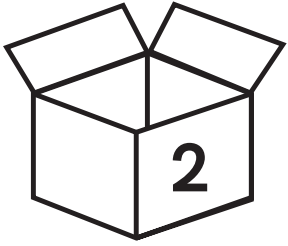
0.5m³
30N/mm²

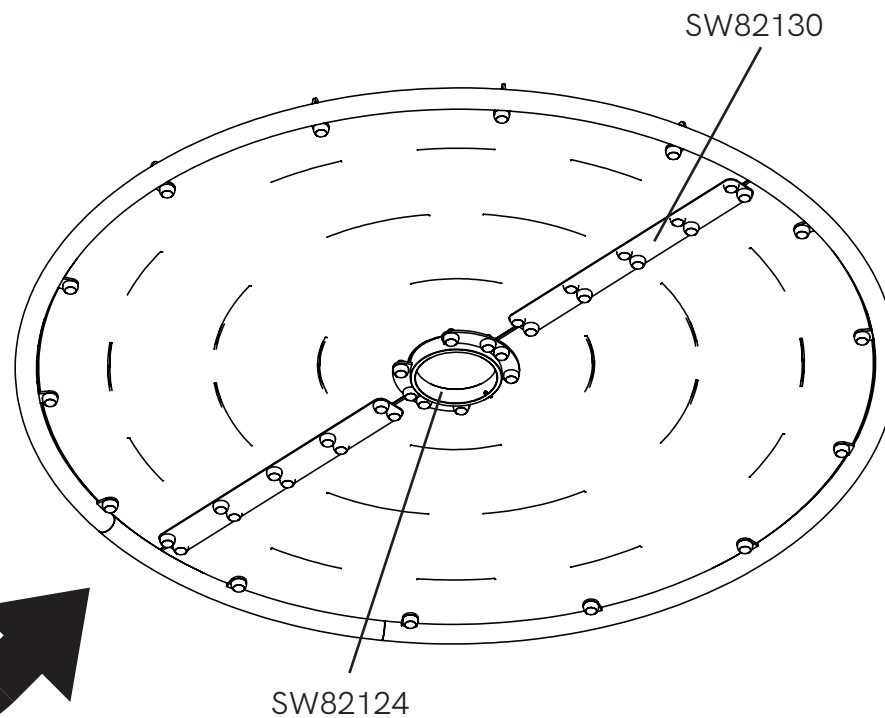
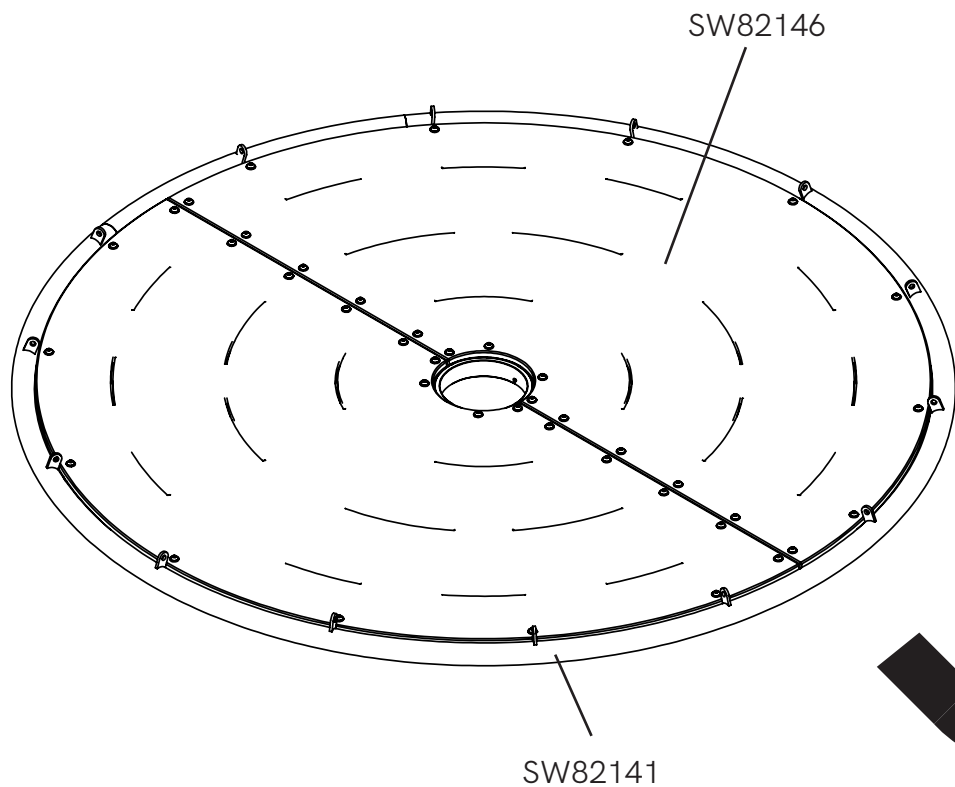
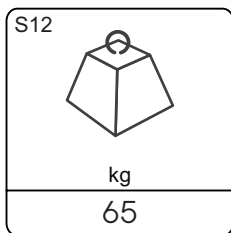
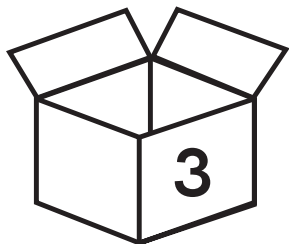


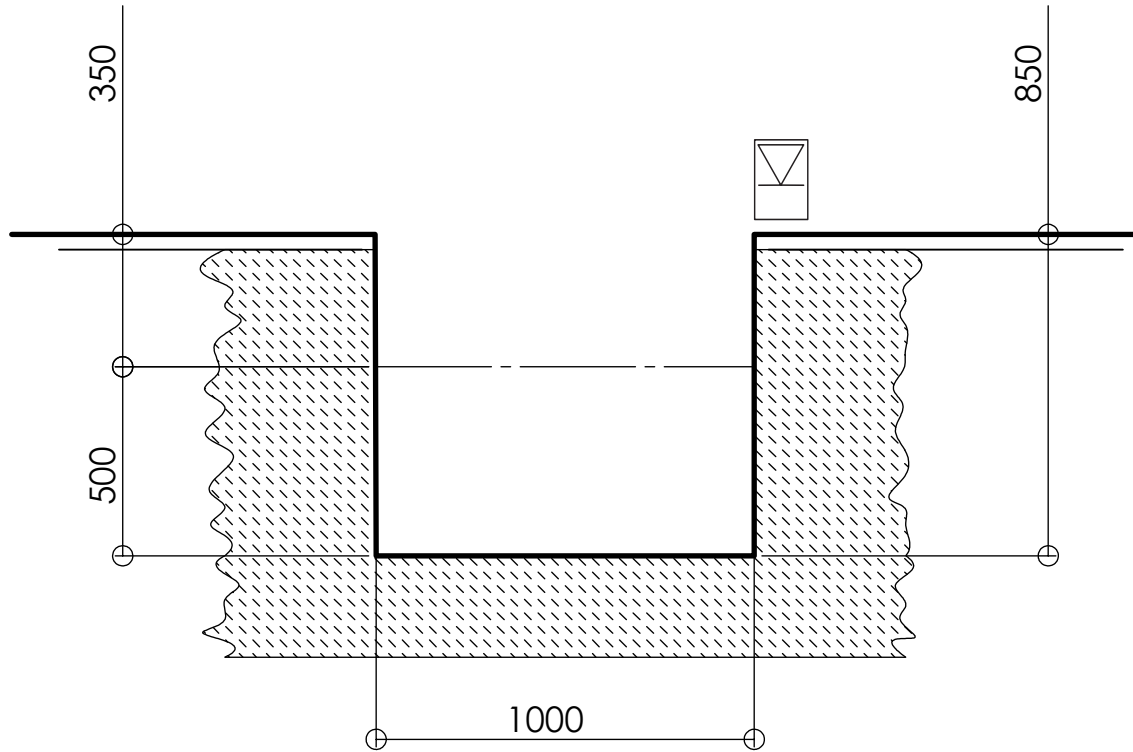
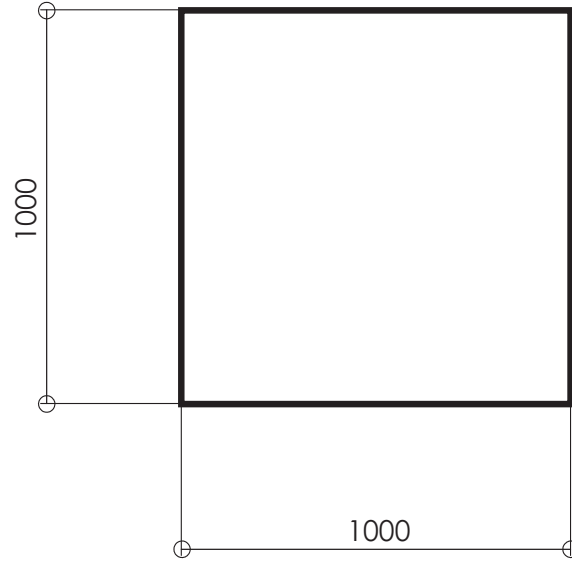
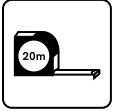
TAY- CC05-CC2400SAFE-00

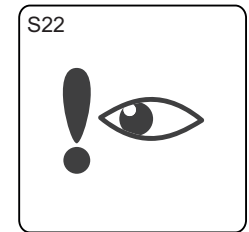
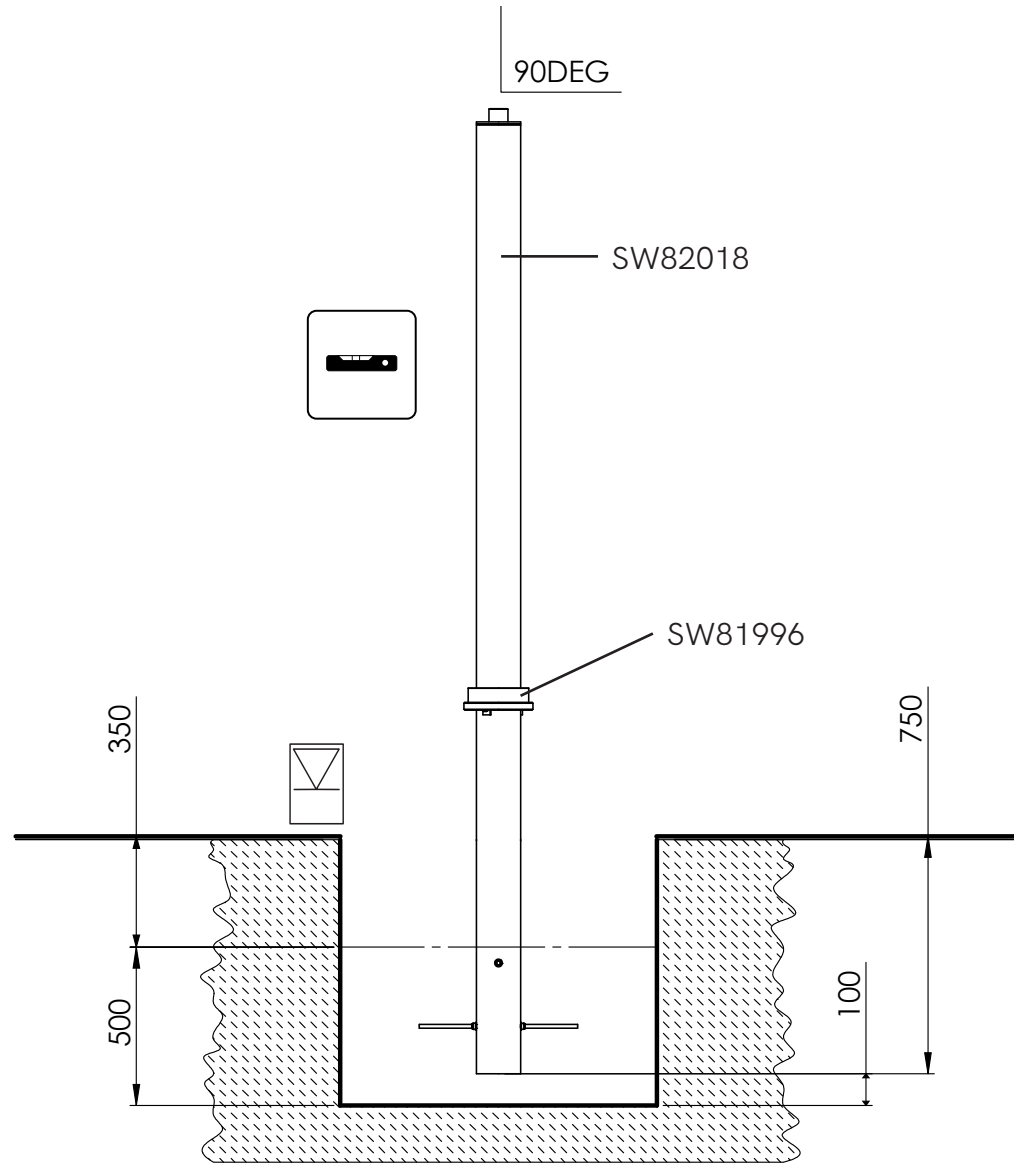
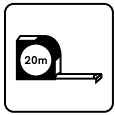


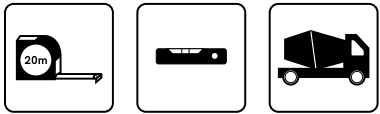




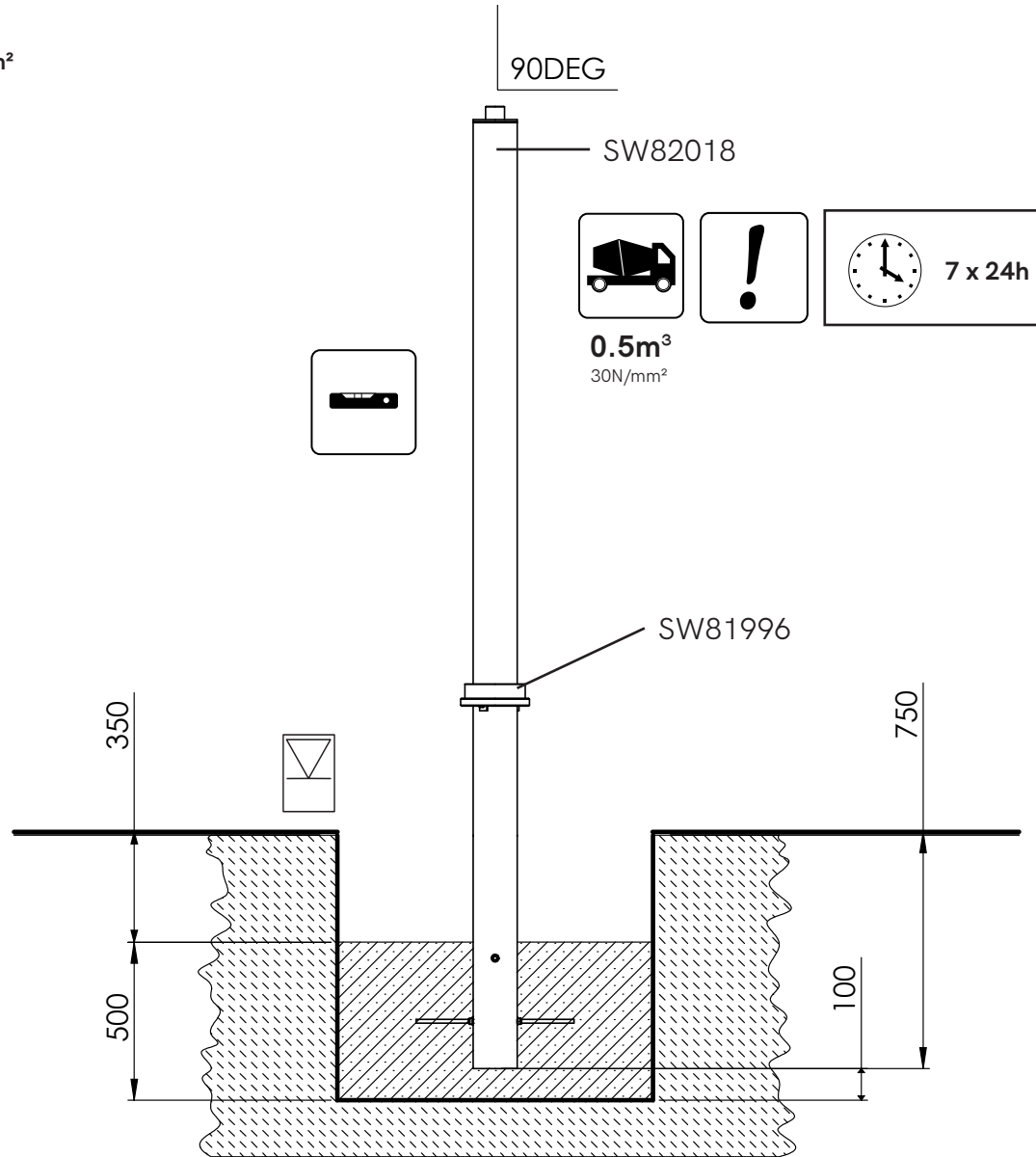
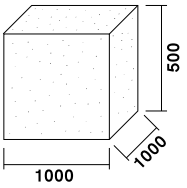


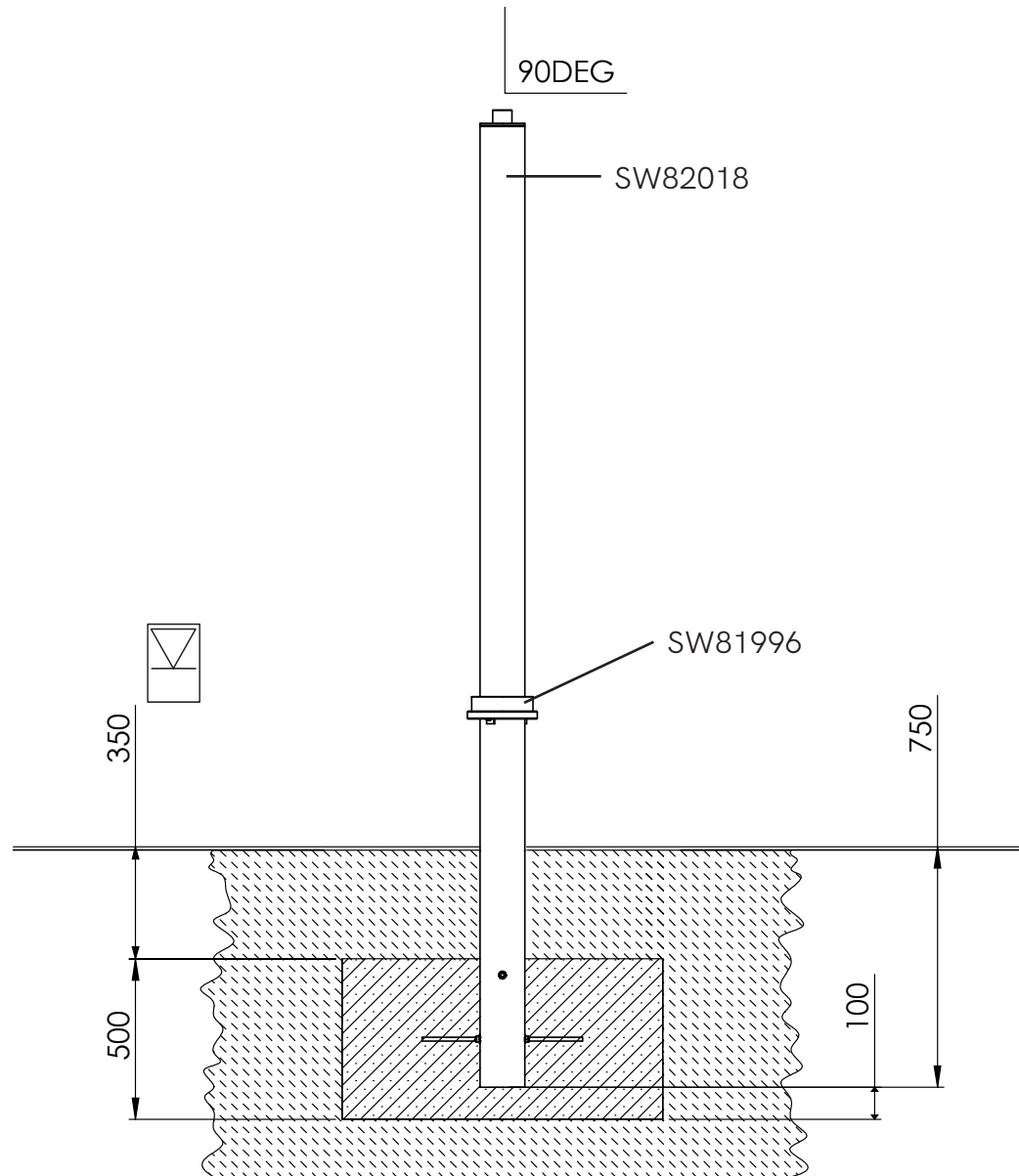


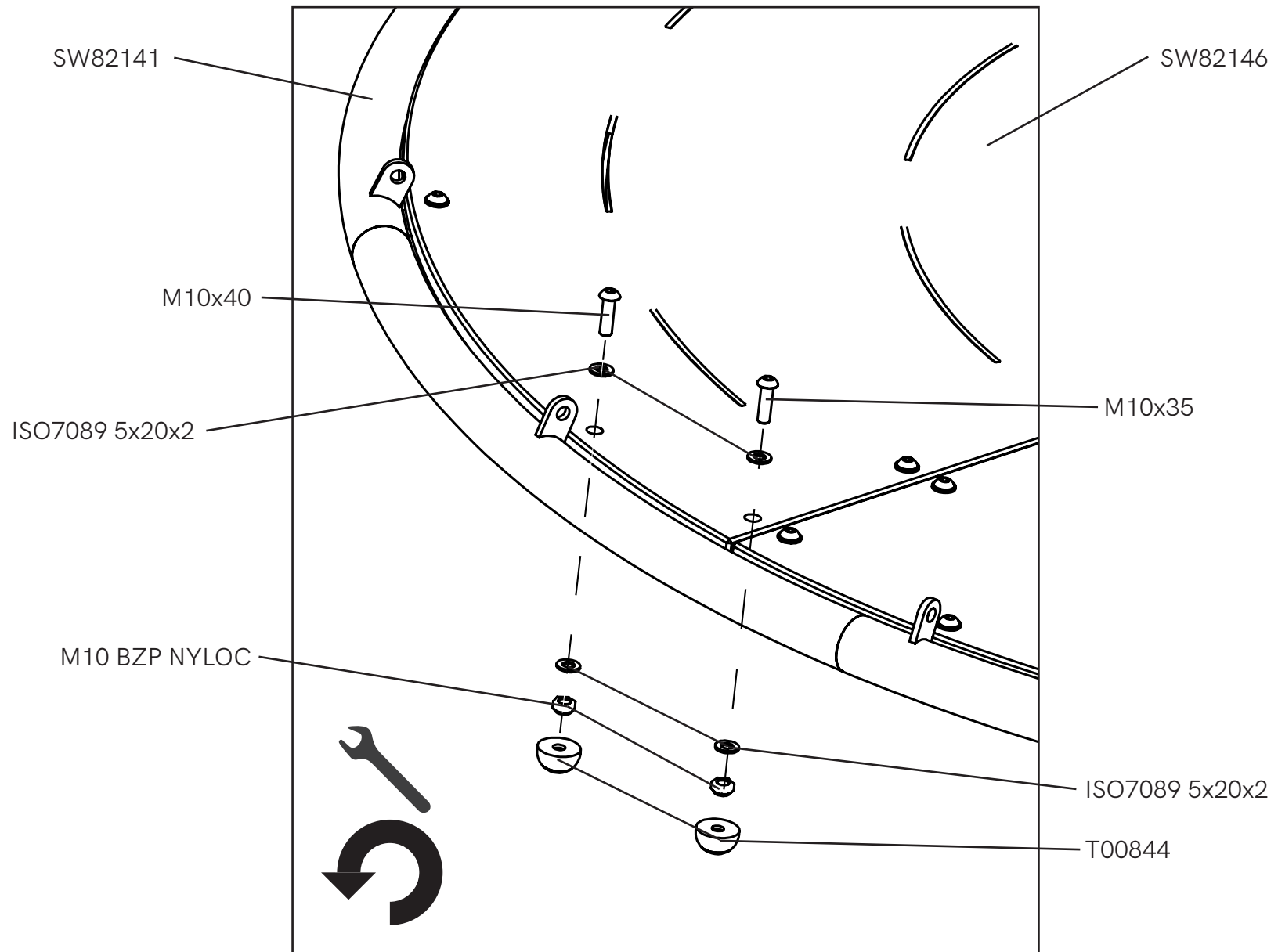


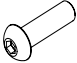


30N/mm²

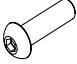







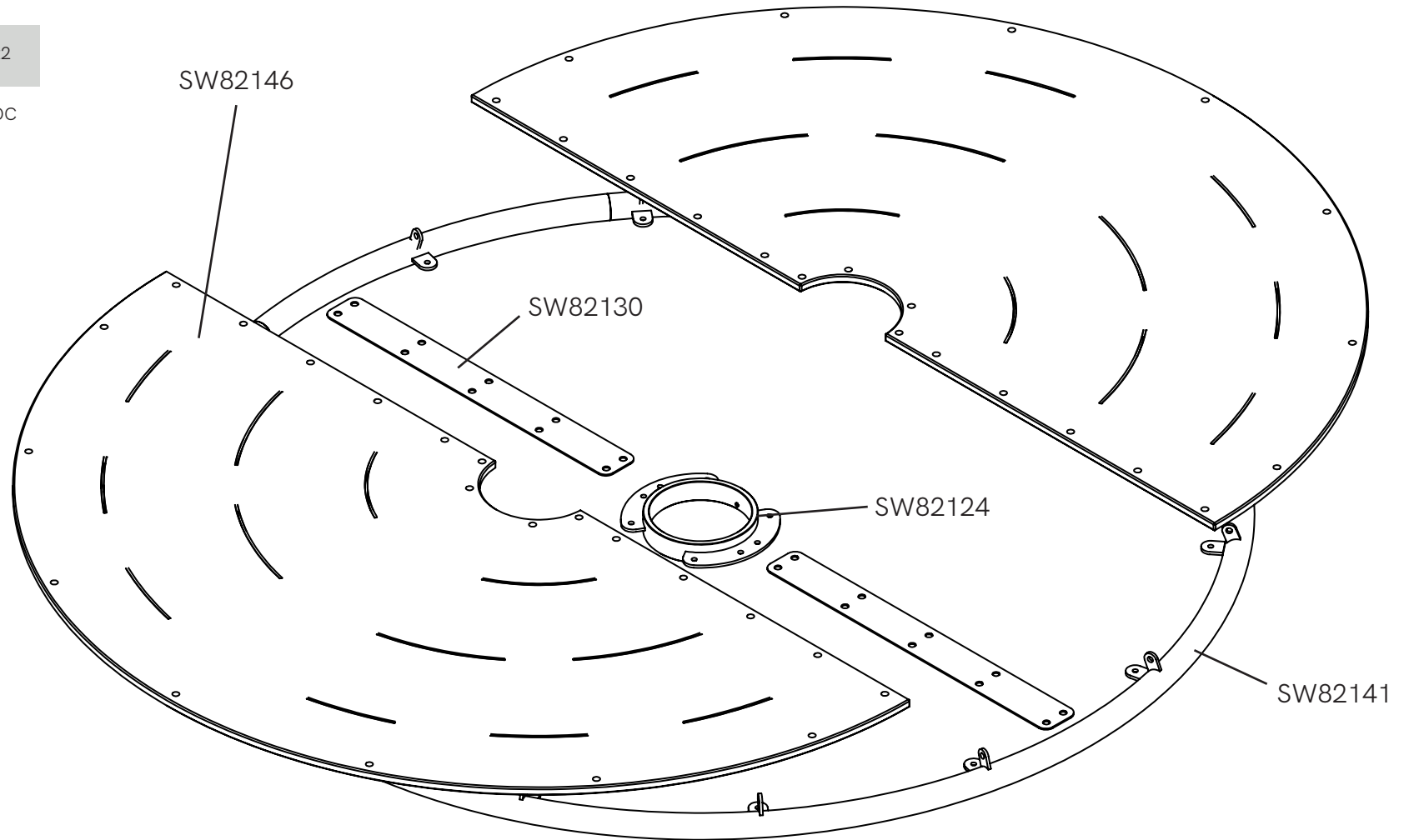
14  M10x40

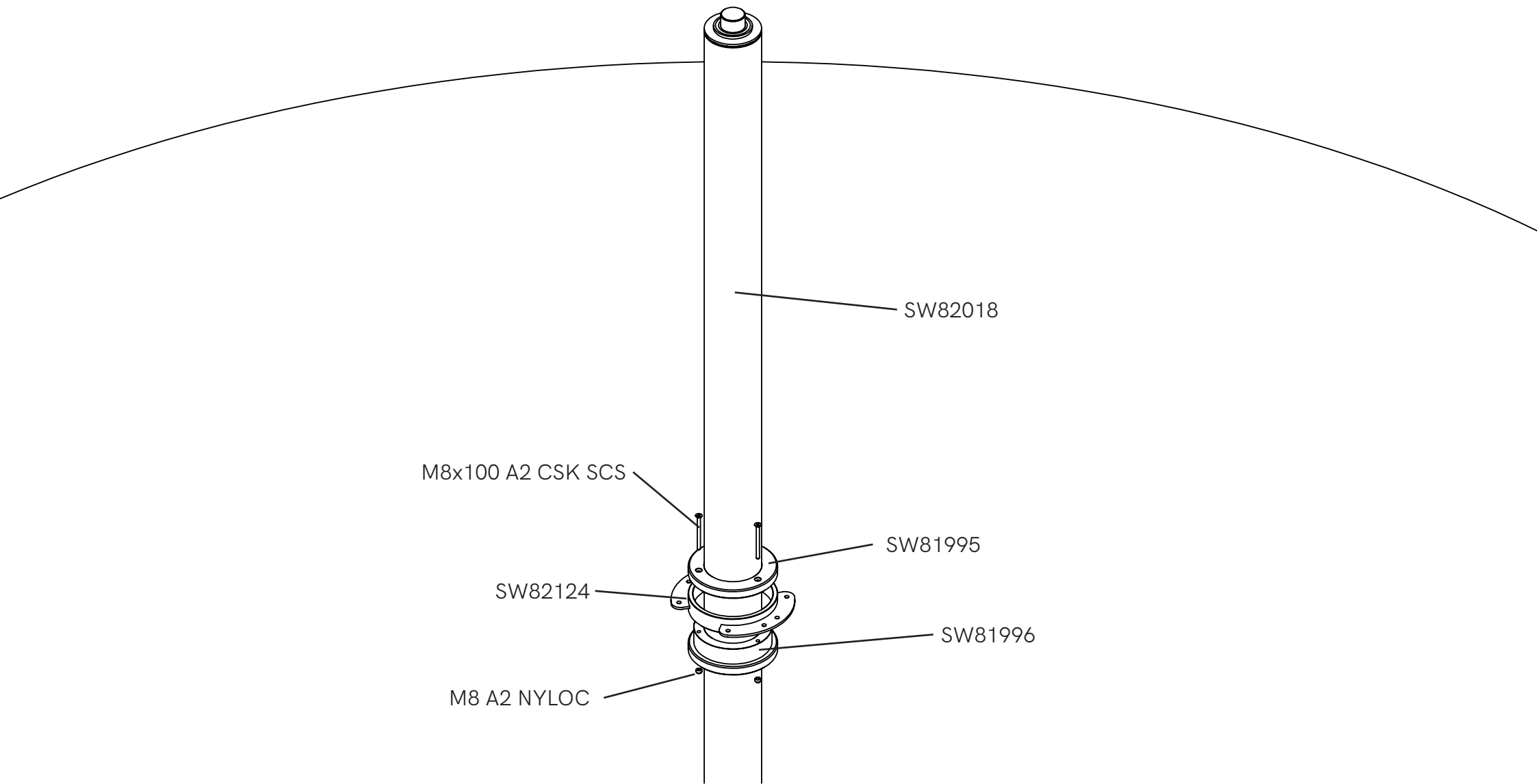
42  T00844

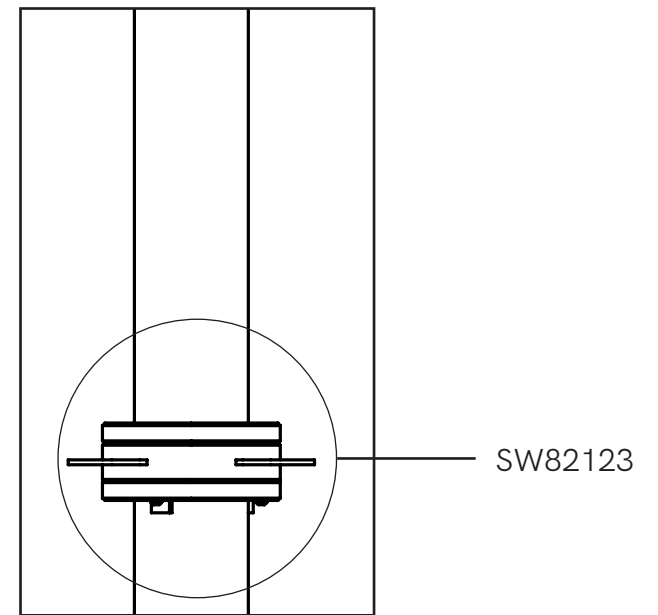
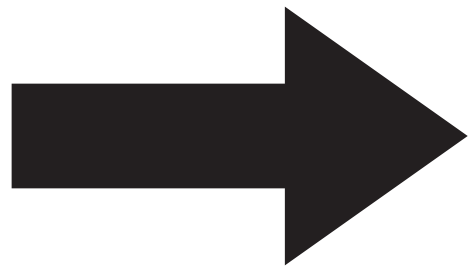
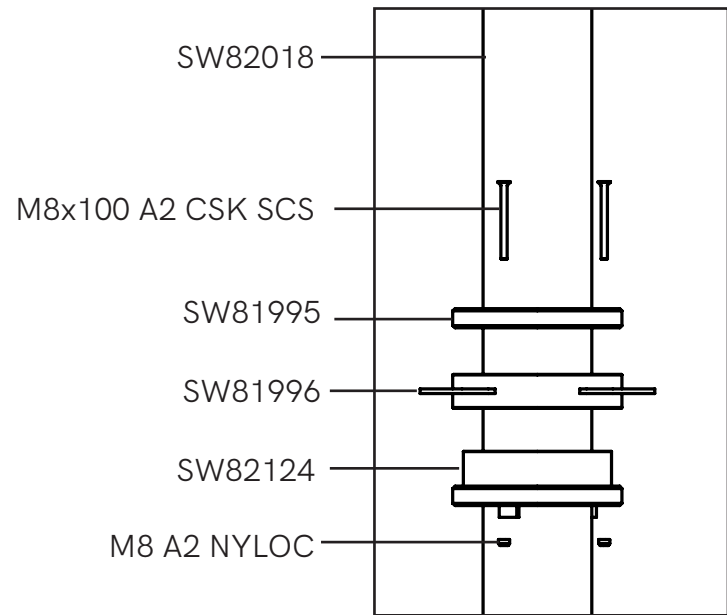
28  M10x35

42  ISO7089 5x20x2


42  M10 BZP NYLOC



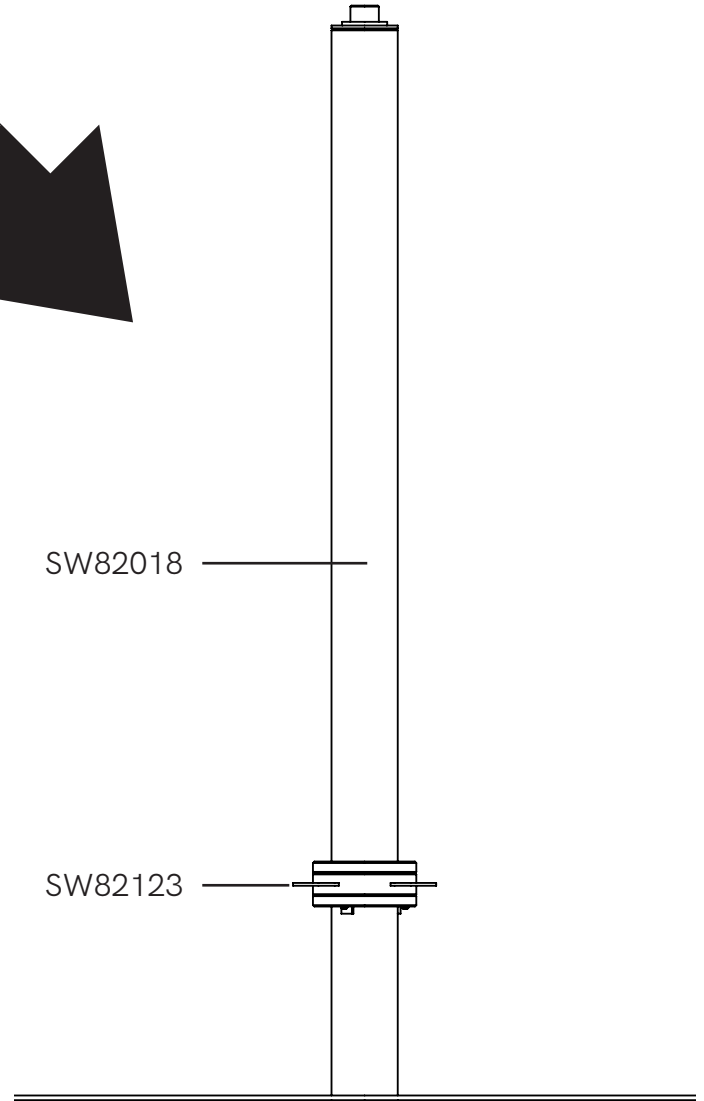
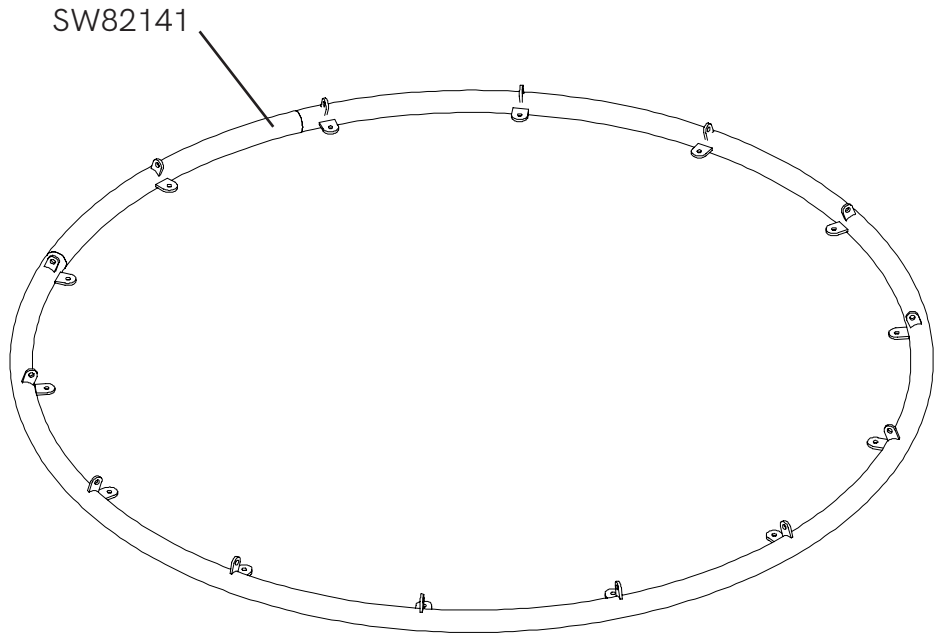
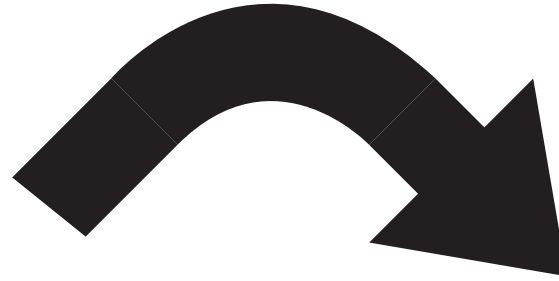


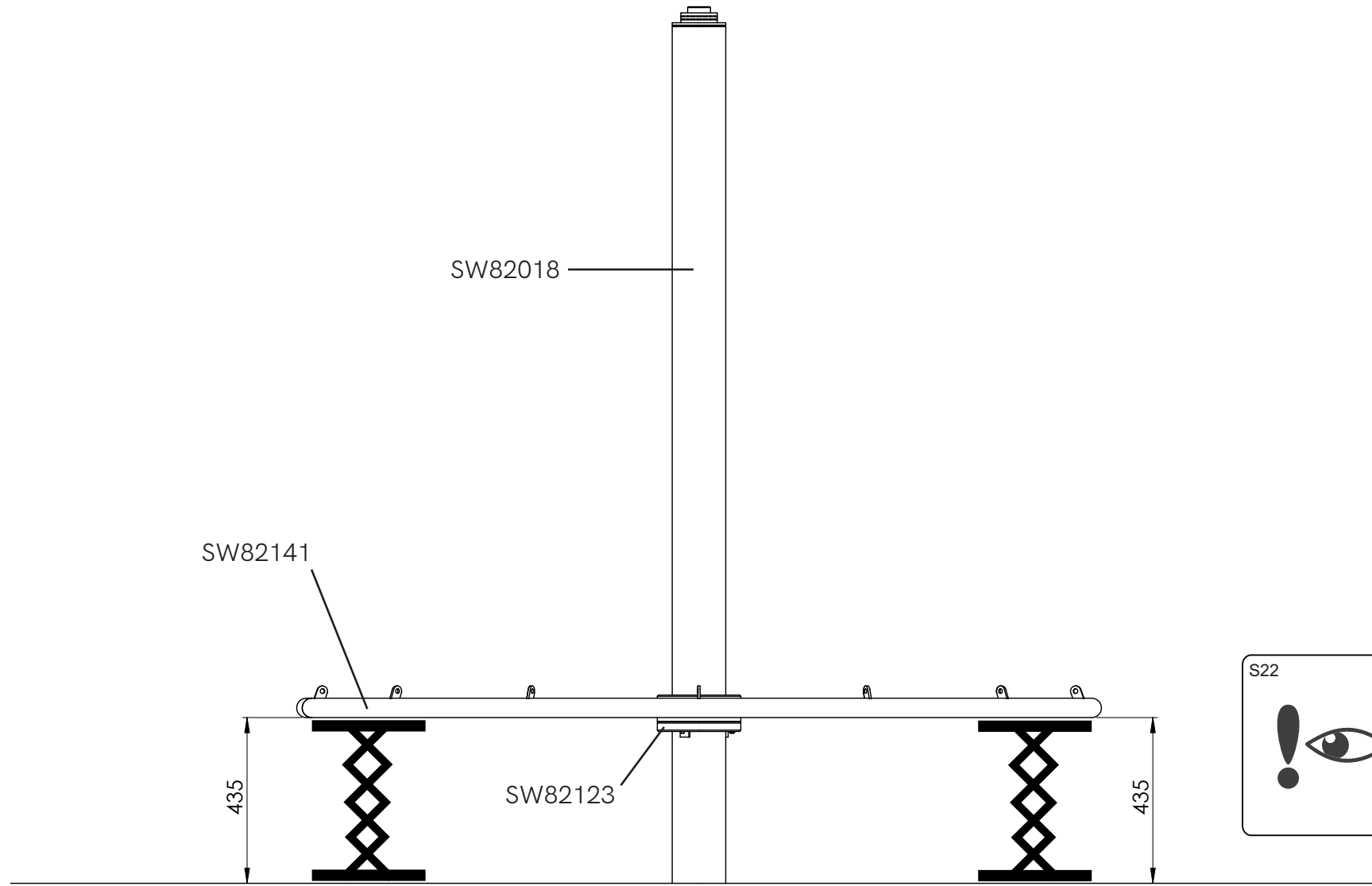


S34




2-3

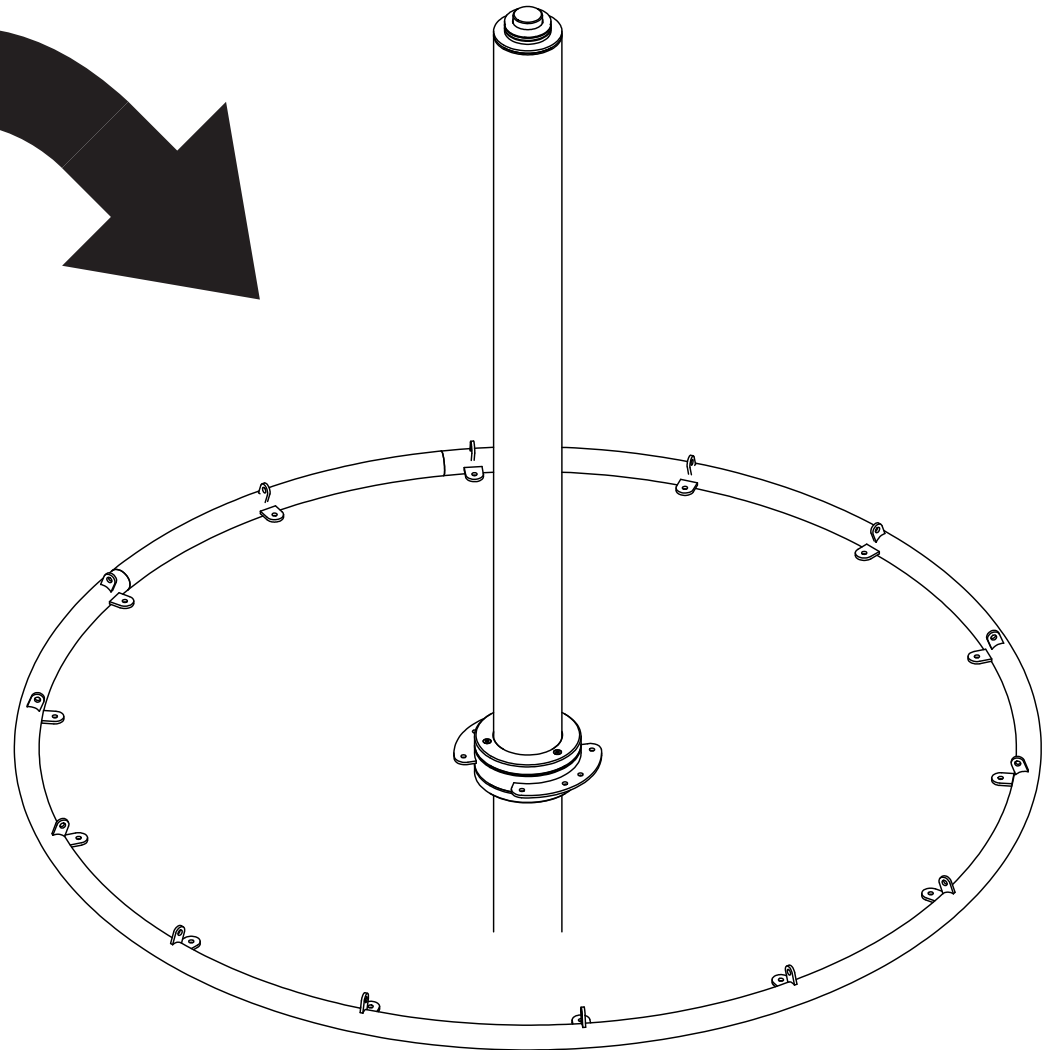
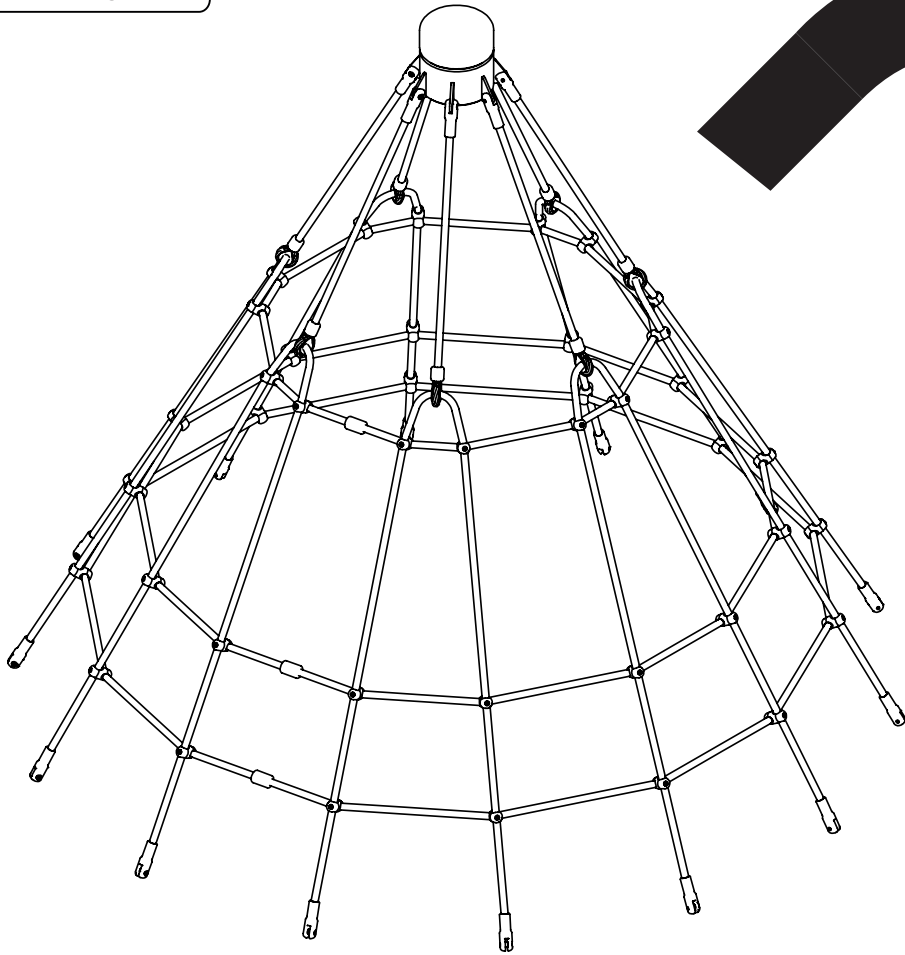
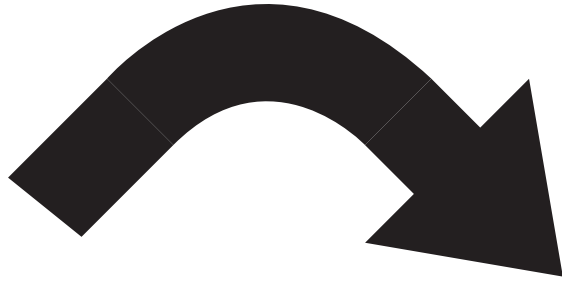


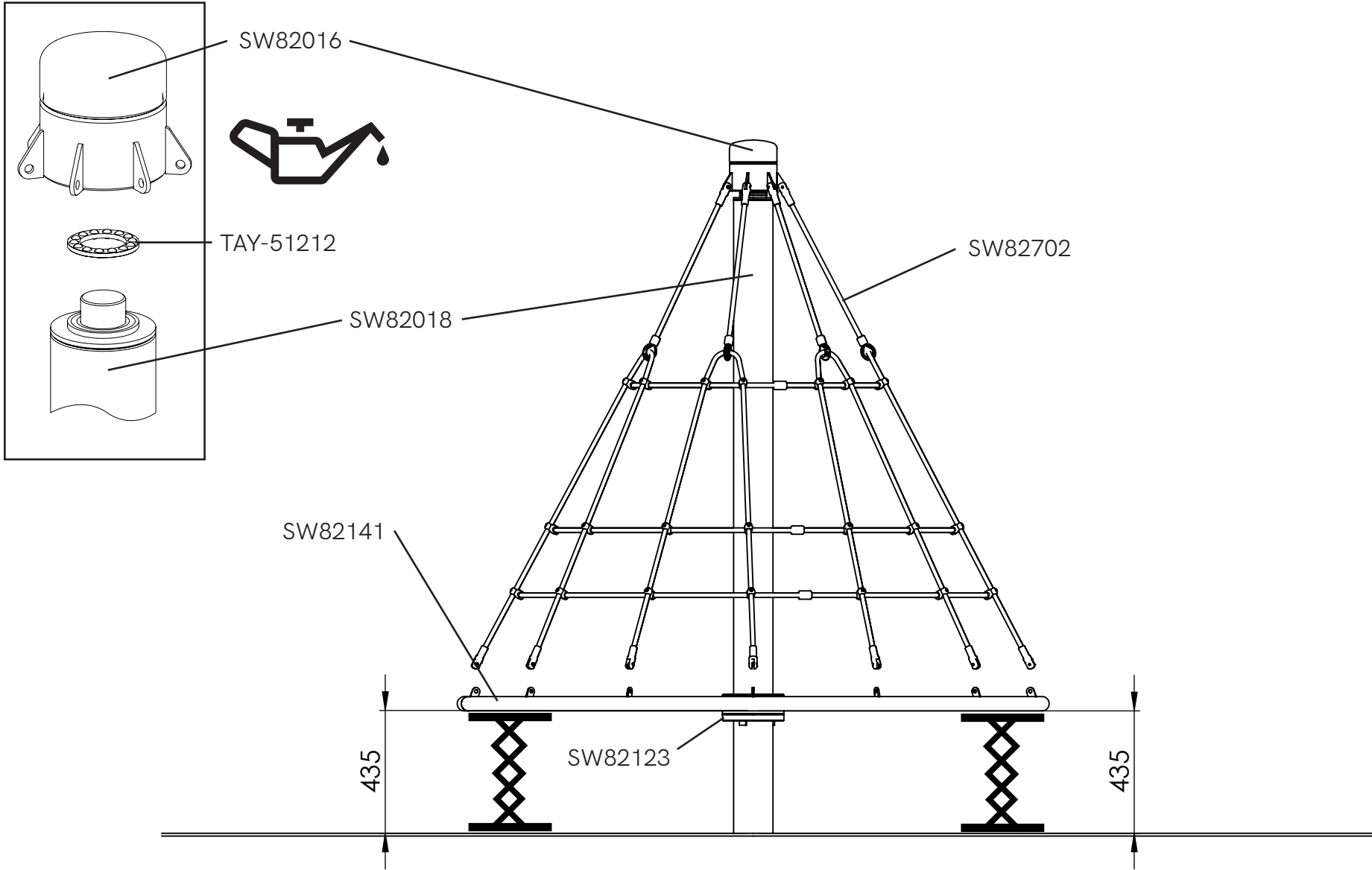


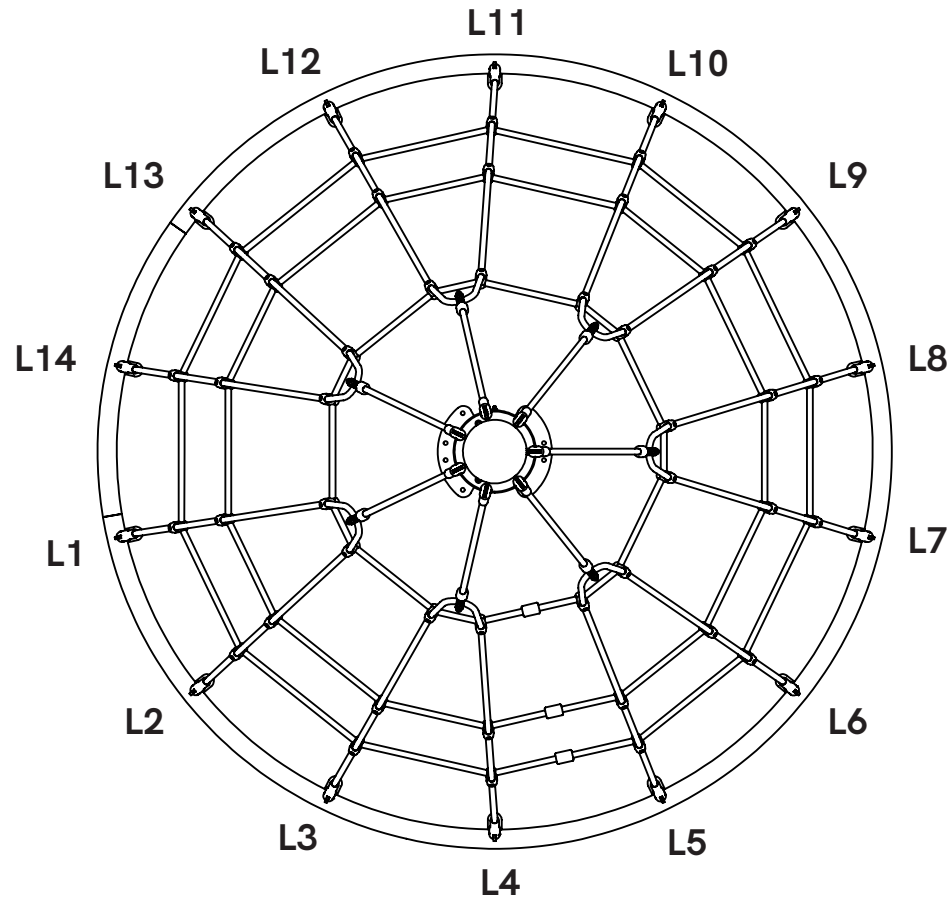
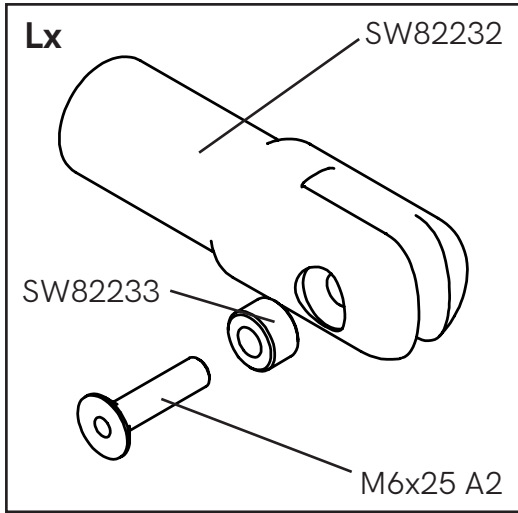
S34

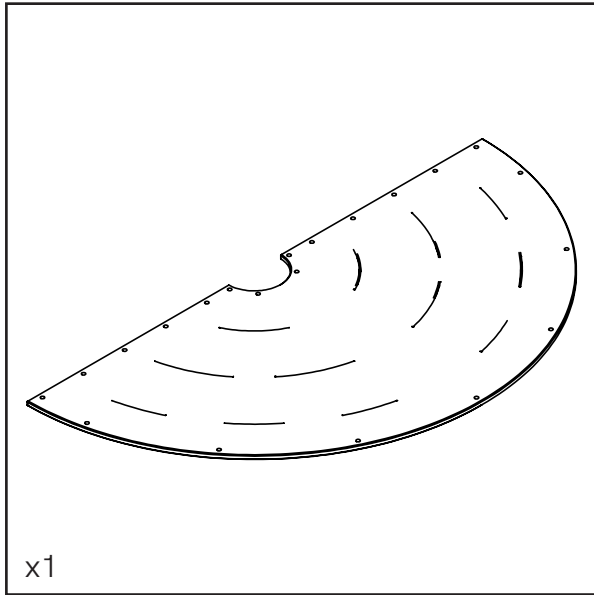


2-3



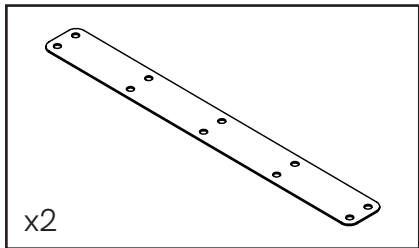
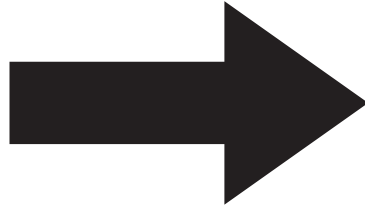






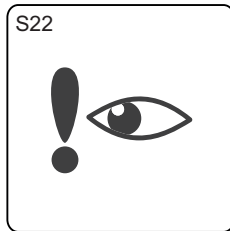
x1

SW82146

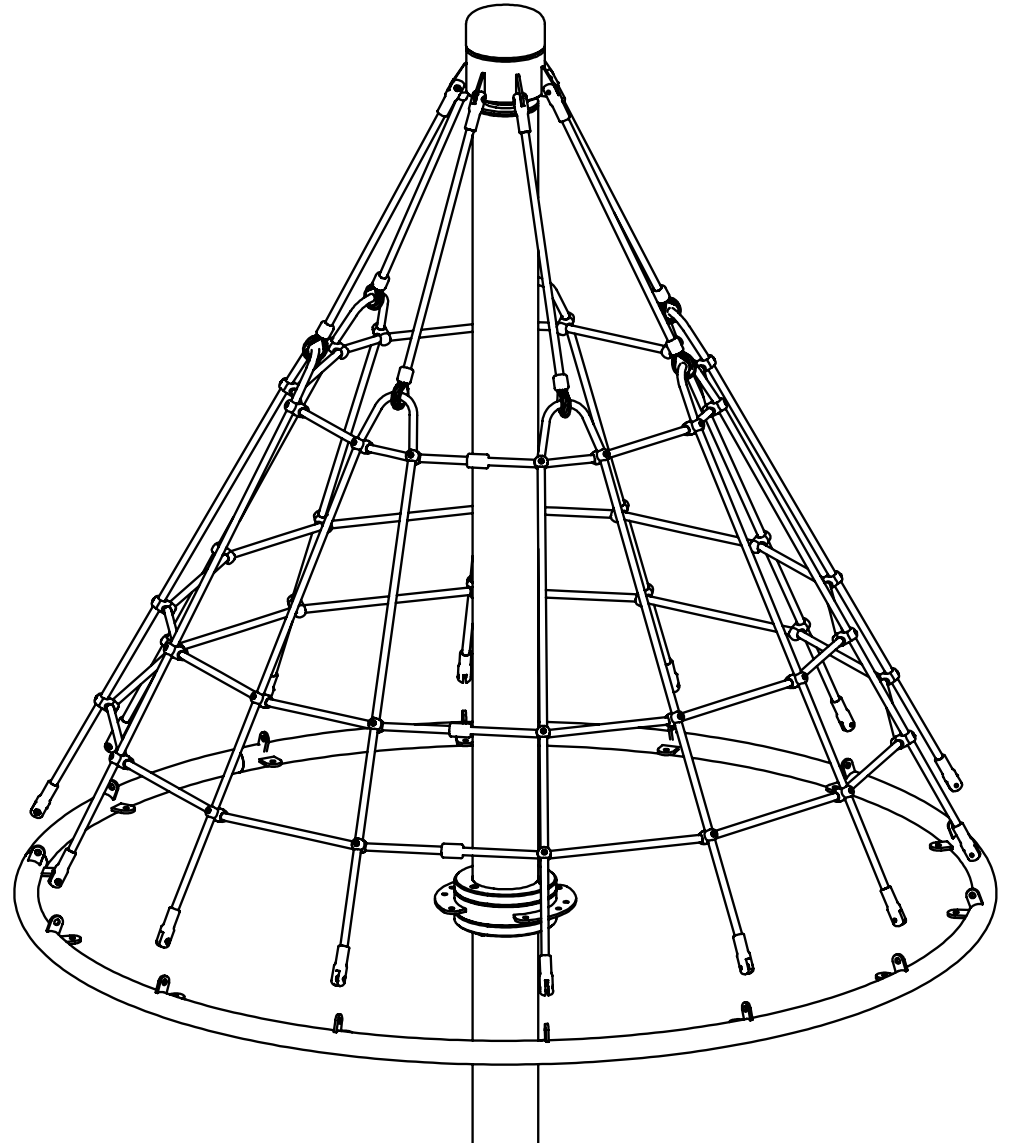


x2

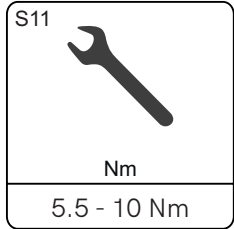
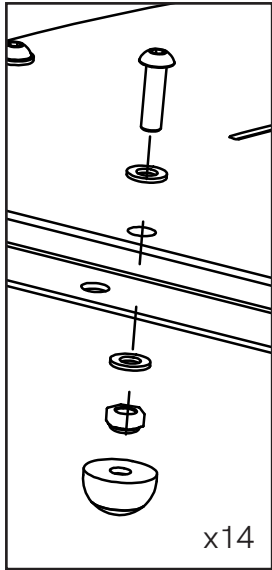
SW82130



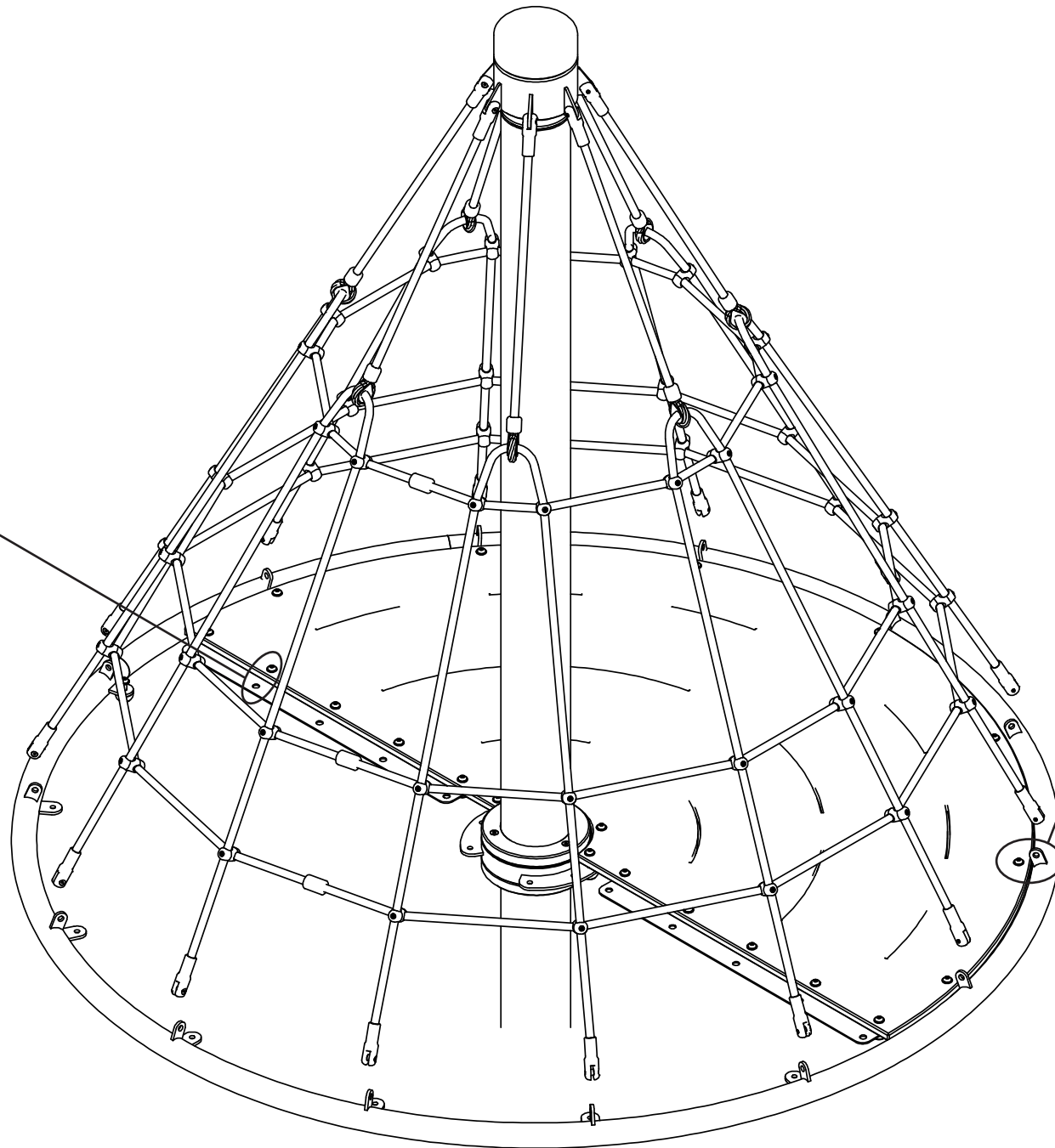
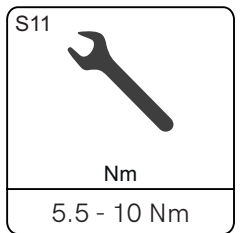
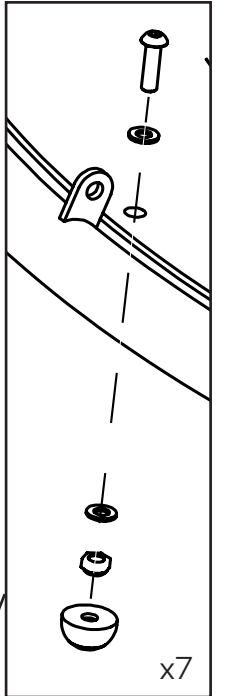
S22

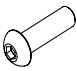






M10x35

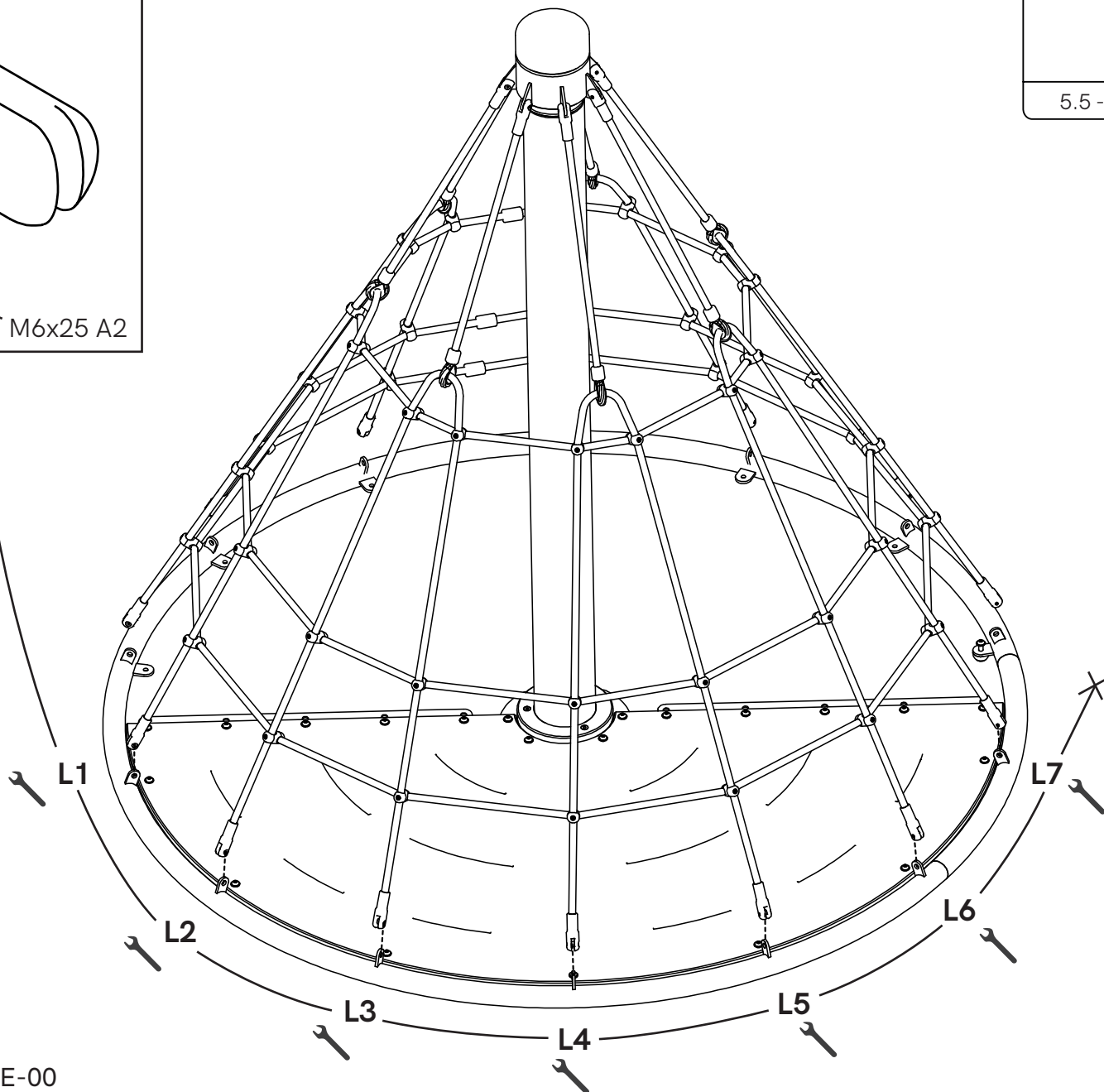
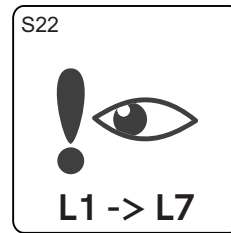
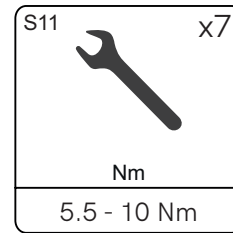
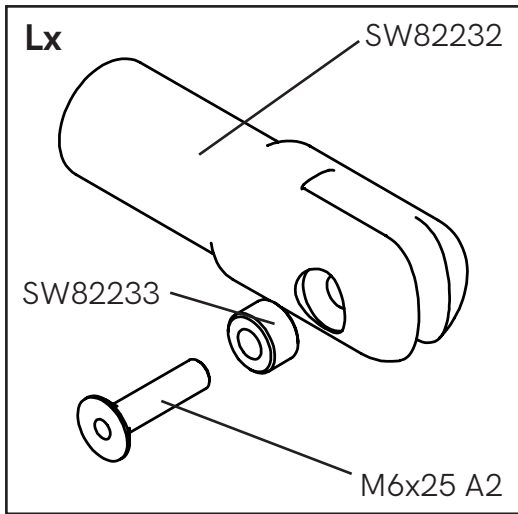


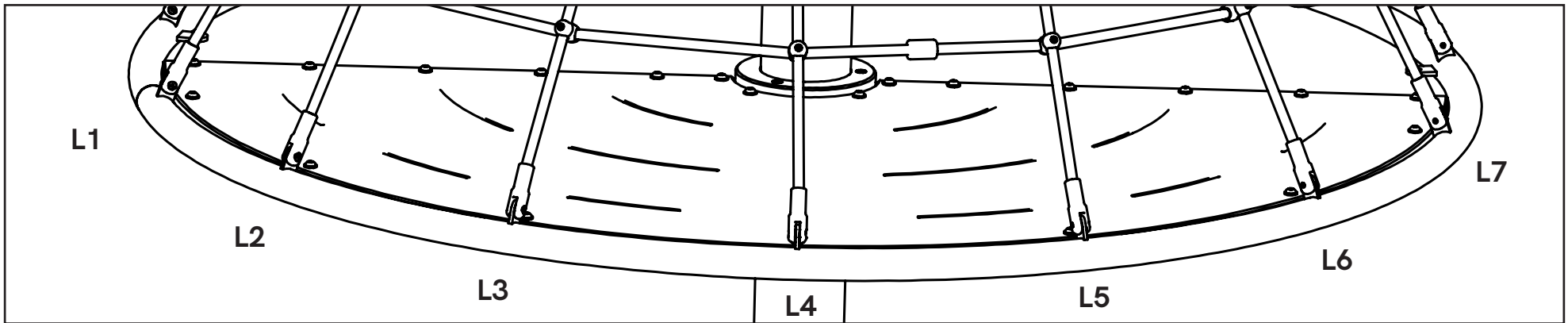
M10x40

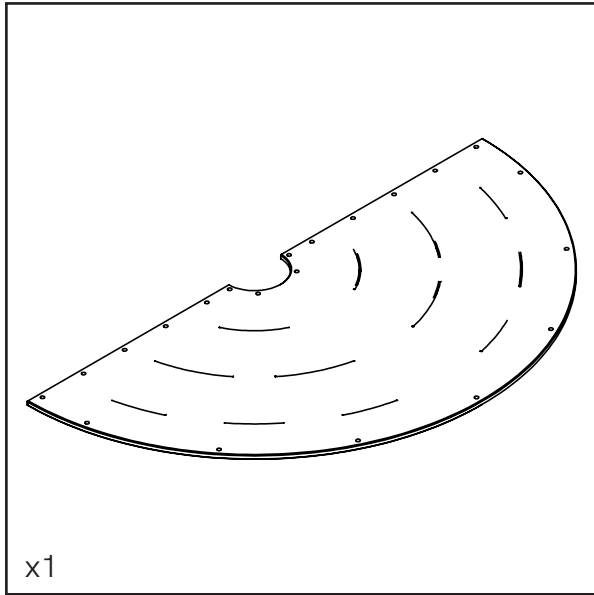


- 14  M10x40
- 42  T00844
- 28  M10x35
- 42  ISO7089 5x20x2
- 42  M10 BZP NYLOC



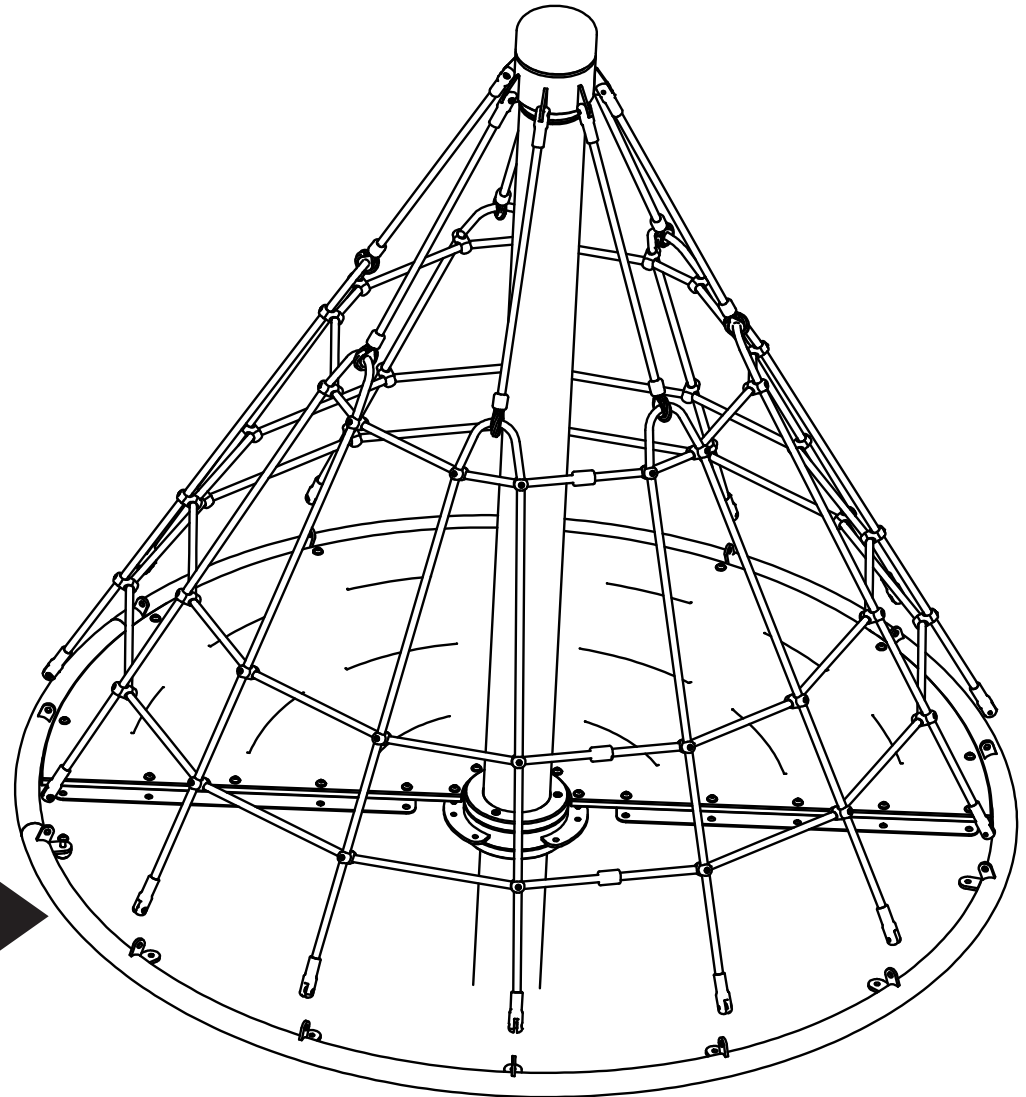
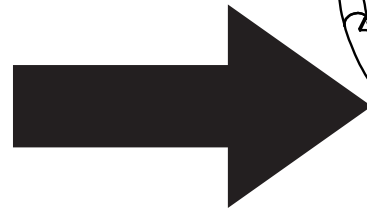




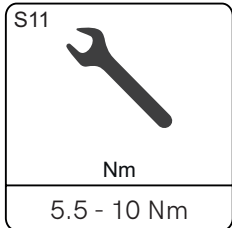
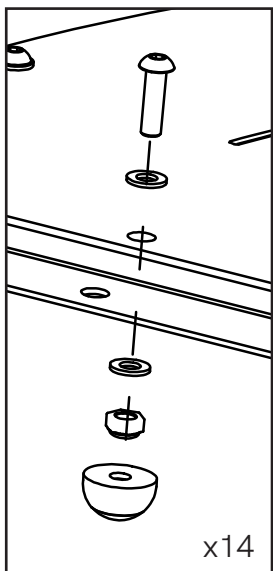


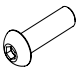




x1

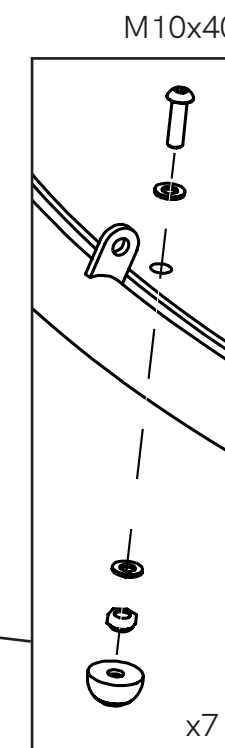
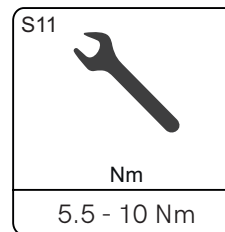
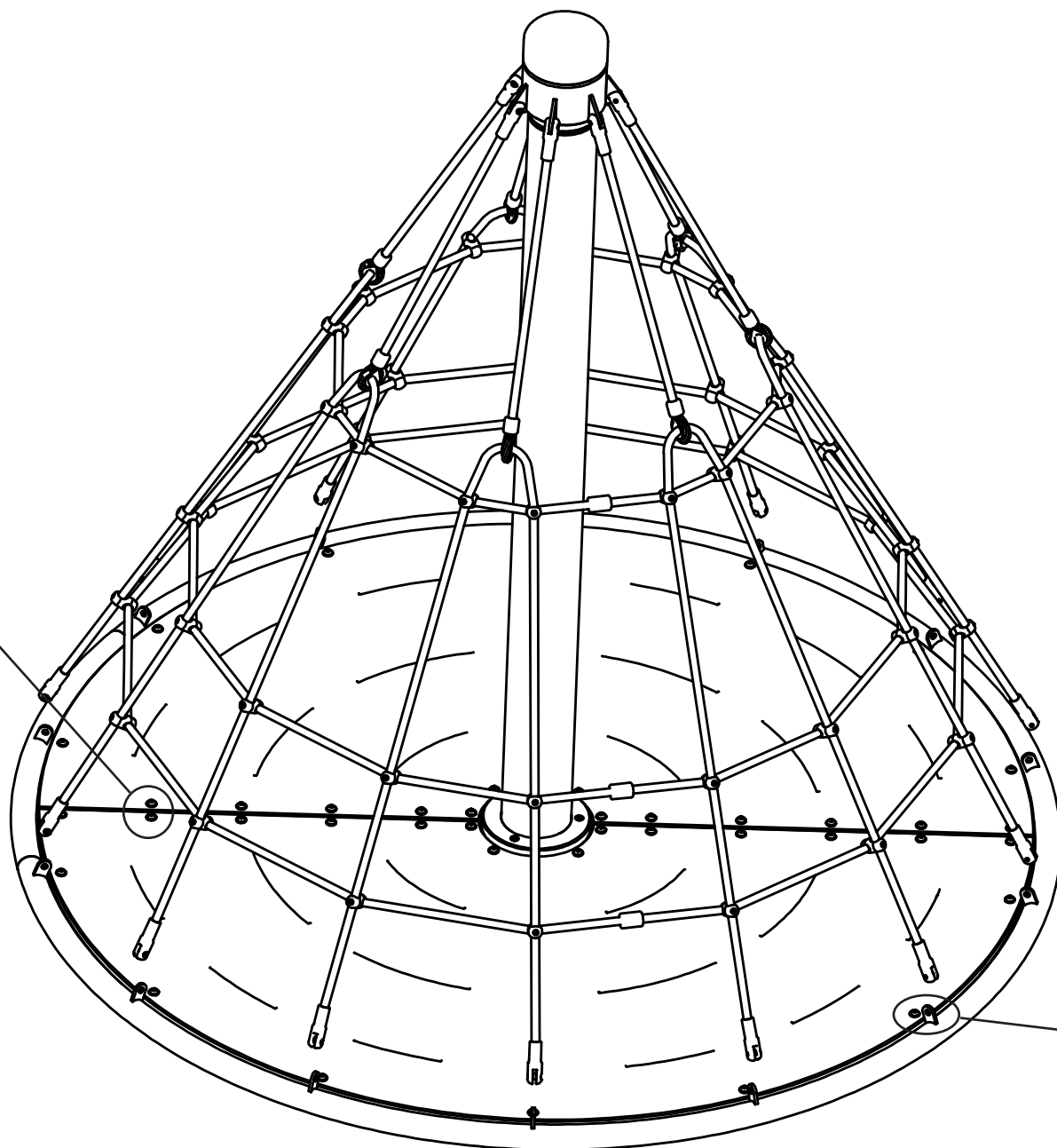
SW82146

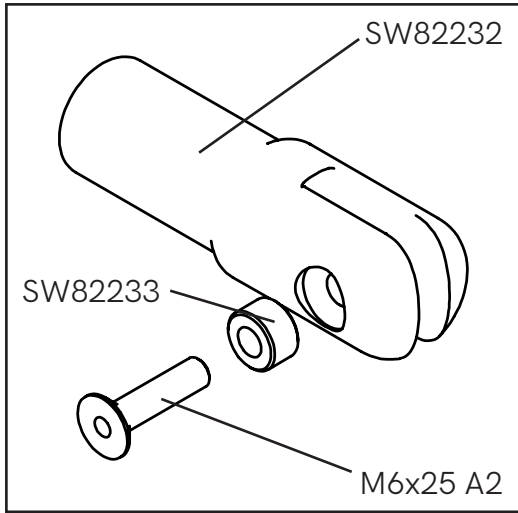


M10x35



- 14  M10x40
- 42  T00844
- 28  M10x35
- 42  ISO7089 5x20x2
- 42  M10 BZP NYLOC





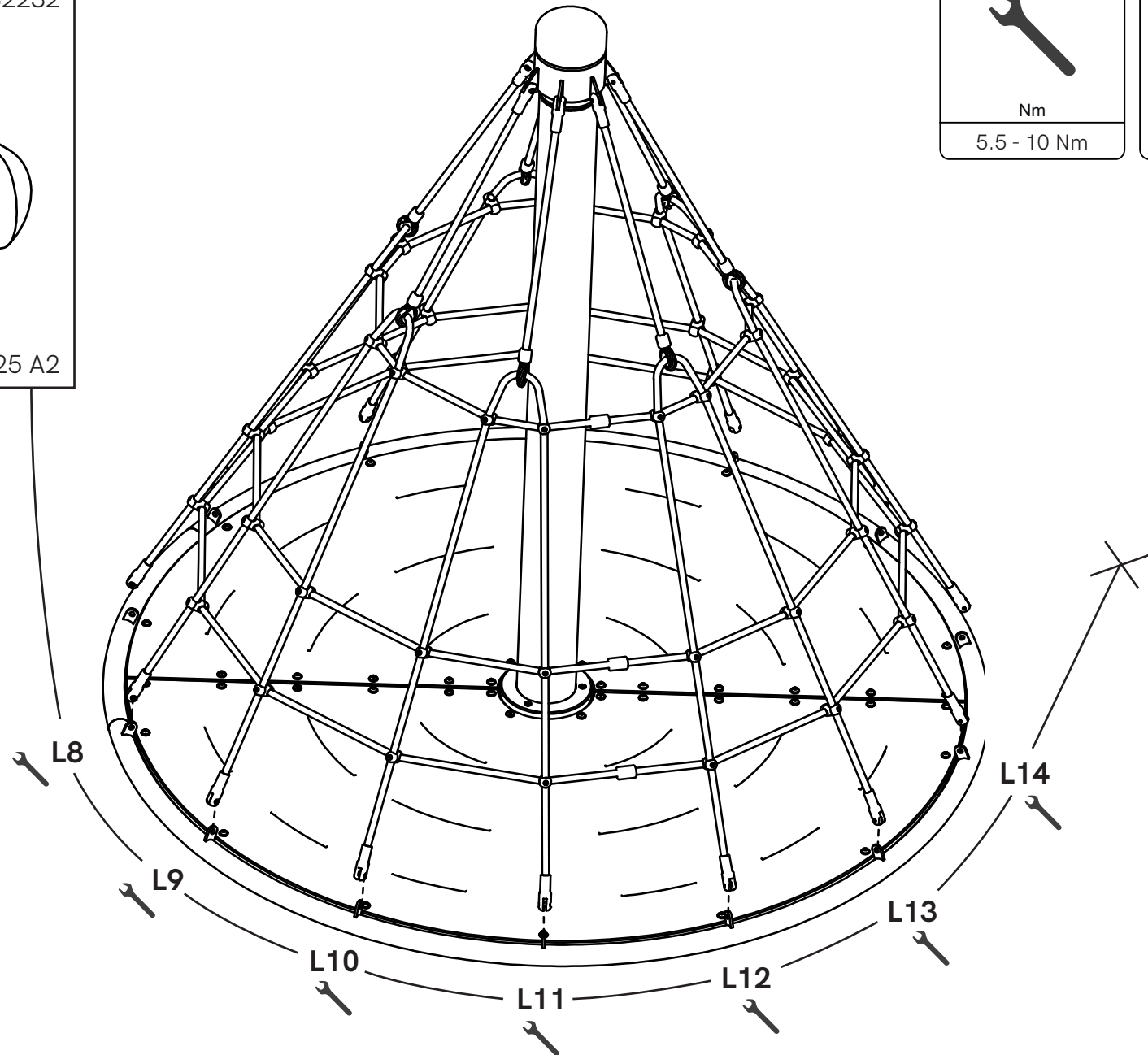
S11 x7

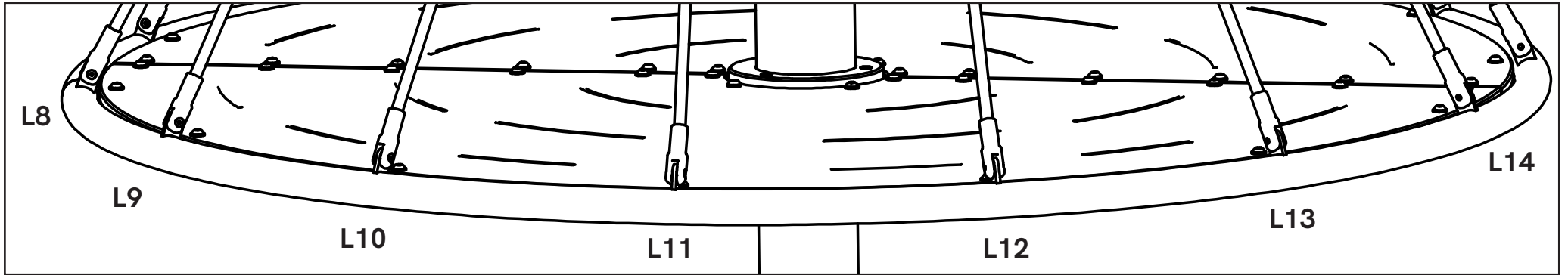
Nm

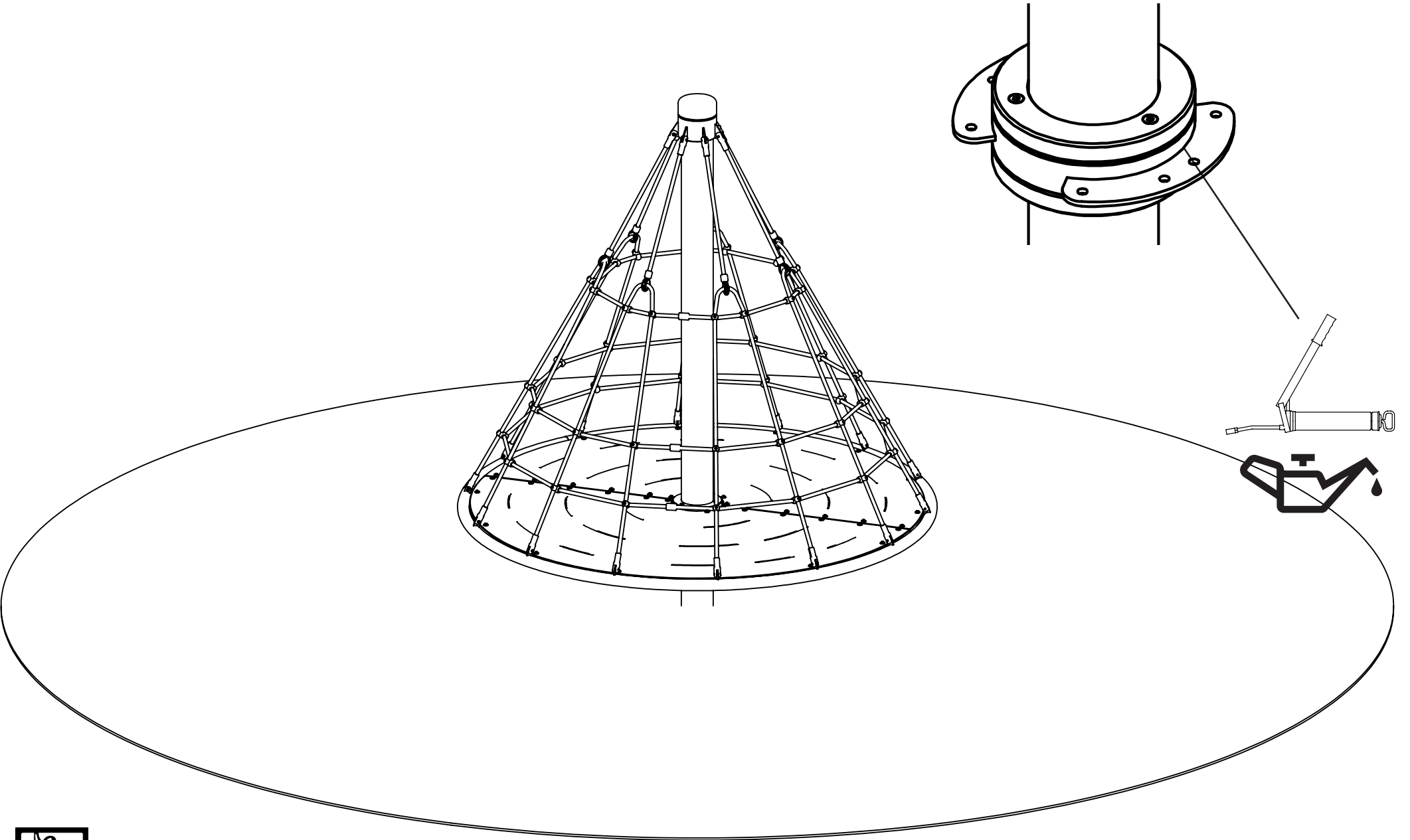
5.5 - 10 Nm

S22

L8 -> L14









Tayplay Ltd

13A Riverview Business Park
Friarton Road
Perth
PH2 8DF
Scotland

Tel: +44 (0) 1738 449 084
Email: info@tayplay.com
Web: www.tayplay.com

